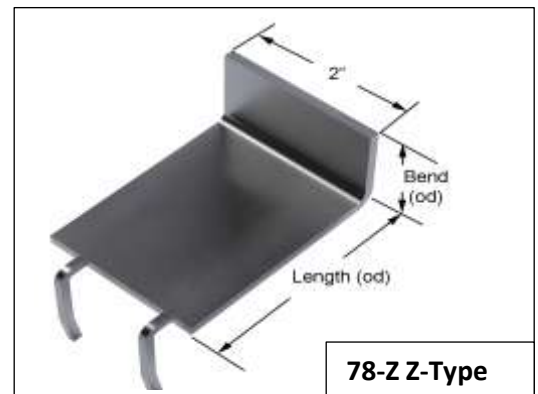
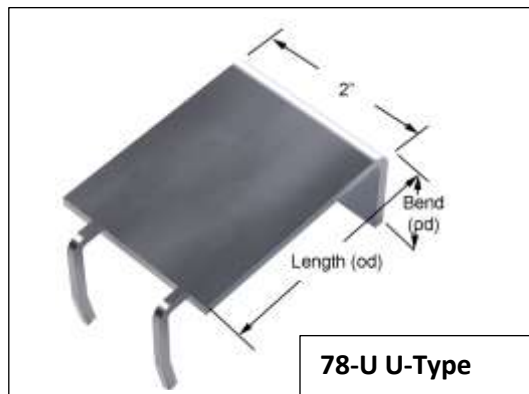
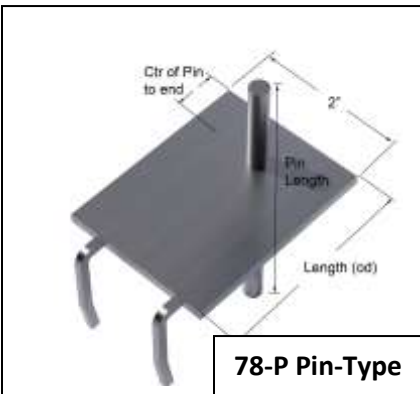


Submittal Sheet
#78 Pintle Stone Anchors for Pos-I-Tie® ThermalClip® system.

MADE TO ORDER

Custom Made: For use with the Original Pos-I-Tie® Barrel Screw and the ThermalClip®. 1/8" x 2" wide only. Stainless Steel. Pintle stone anchors are notched to fit in the ThermalClip® with the Original Pos-I-Tie® system. Specify Length from bend in pintle to od of anchor.



Quantity: _____

Material Specifications

Stainless Steel: Sheet metal anchors and ties: ASTM A 167, ASTM A 666, ASTM A 240/A240M AISI Type 304. Wire ties and anchors: ASTM A 580 AISI Type 304 (AISI Type 316 available upon request)

1/8" x 2" wide with 1" splitbends
Vertical adjustment 1"
Ultimate Design Loads compression and tension

1/4" extension	160 lbs
1/2" extension	64 lbs
3/4" extension	40 lbs
1" extension	28 lbs

Installation of the Pos-I-Tie® screw should be within 1/4" below joint to achieve the best load.