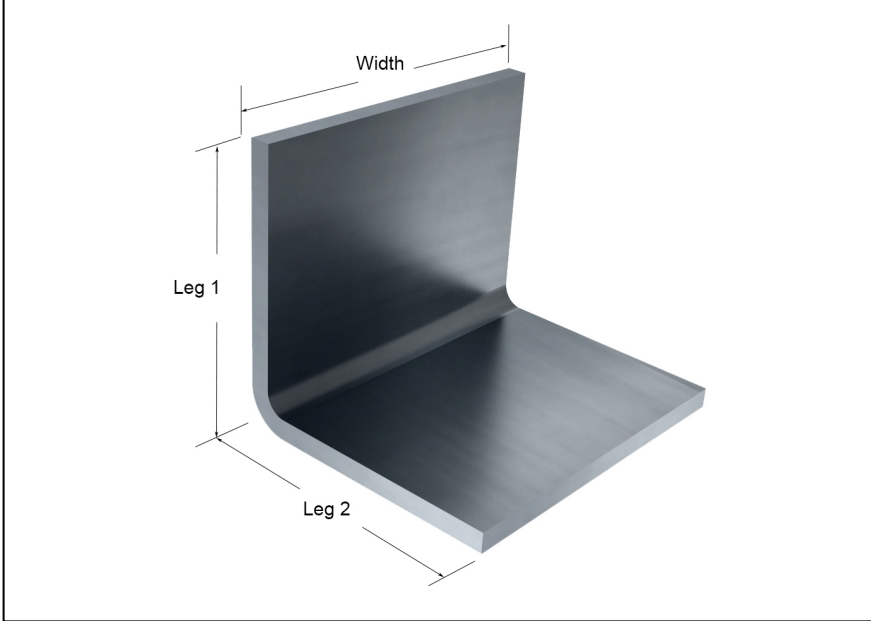


For tying stone or CMU walls together or for any special angle requirement.



Made to Order:

Thickness: 1/2" 3/8" 1/4" 3/16" 1/8"
 12 gage 14 gage 16 gage

Leg 1 (od): _____

Width: _____

Leg 2 (od): _____

Finish: Stainless type 304 Hot Dip Galvanized
 Plain Steel Zinc Alloy 710

Quantity: _____

Material Specifications

Stainless Steel: Sheet metal anchors and ties: ASTM A 167, ASTM A 666, ASTM A 240/A240M AISI Type 304. (AISI Type 316 available upon request)

Hotdip Galvanized: ASTM A 153 Class B-2: (1.50 oz/ ft²).(0.46kg/m²)

Mill Galvanized: Sheet metal anchors and ties: ASTM A 653 G60

Plain Carbon Steel: ASTM A1008/A1008M Structural Steel ASTM A36/A36M-08

Firewall Anchors: Rolled Strip Zinc Alloy 710. (Firewall alloy 1/8" and 16 gage only)