



Div. of Mechanical Plastics Corp.

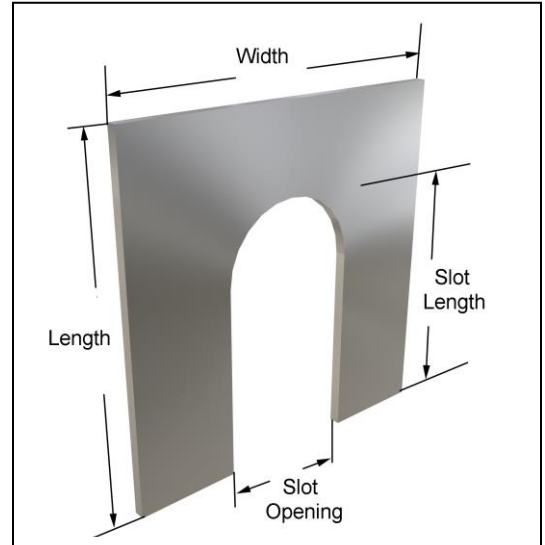
www.heckmannanchors.com

Submittal Sheet #443 Horseshoe Shims

Typical sizes are 2" x 2" and 2" x 3" in thicknesses 1/16", 1/8" and 1/4" available in Stainless Steel, Plain Steel, Hotdip Galvanized, or Mill Galvanized (1/16" and 1/8" only).

Standard Slot is 13/16" x 1-1/2".

Specify thickness, length, width, type of steel, slot size and location of slot.



Specials:

Thickness:  1/2"  3/8"  1/4"  1/8"  1/16"

Length: \_\_\_\_\_ Width: \_\_\_\_\_

Slot Opening: \_\_\_\_\_ Slot Length: \_\_\_\_\_

Finish:  Stainless type 304  Hot Dip Galvanized  Mill Galvanized  Plain Steel

Quantity: \_\_\_\_\_

Material Specifications

Stainless Steel: Sheet metal anchors and ties: ASTM A 167, ASTM A 666, ASTM A 240/A240M AISI Type 304.

Wire ties and anchors: ASTM A 580 AISI Type 304

(AISI Type 316 available upon request)

Hotdip Galvanized: ASTM A 153 Class B-2: (1.50 oz/ ft²)(0.46kg/m²)

Mill Galvanized: Sheet metal anchors and ties: ASTM A 653 G60

Wire: ASTM A 641 (0.1 oz/ ft².)

Plain Carbon Steel: ASTM A1008/A1008M Structural Steel ASTM A36/A36M-08

Wire: ASTM A 82/A82M Tensile Strengths 80,000 psi Yield Point 70,000 psi