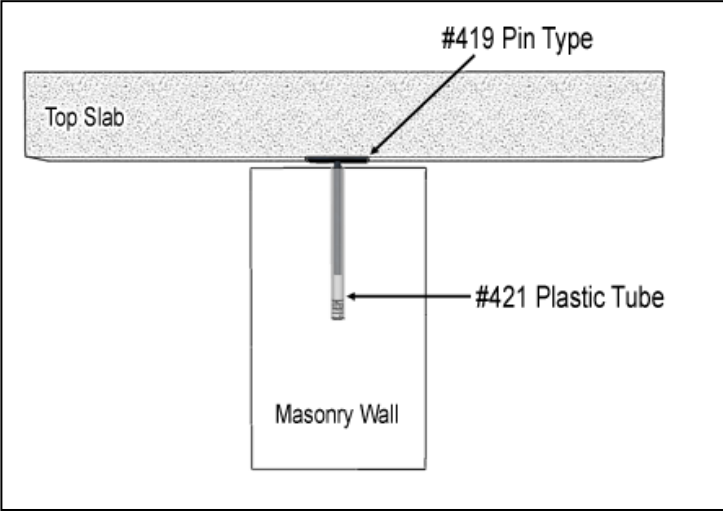
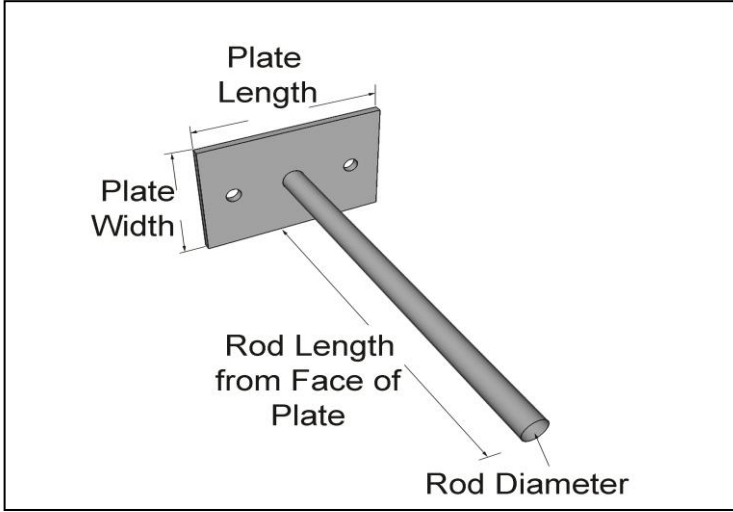


Submittal Sheet
#419 Pin Type Stabilizing Wall Anchors
#421 Plastic Tubes

Used to resist lateral loads at the top of a masonry wall. The 419 Pin Type is supplied with two holes for attachment to a concrete slab or can be welded to a structural beam. Typically manufactured from 12 gage steel 1 ½" x 3" plate with a 3/8" diameter x 6 ¾" long welded rod Hotdip Galvanized after Fabrication. Ultimate Shear Load = 450 lbs.



Standards:
Plate
Thickness: 12 gage 1 ½" wide x 3" long
Rod
Diameter: 3/8" x 6 ¾" long
Hot Dip Galvanized

Quantity: _____

Material Specifications

Stainless Steel: Sheet metal anchors and ties: ASTM A 167, ASTM A 666, ASTM A 240/A240M AISI Type 304.
Wire ties and anchors: ASTM A 580 AISI Type 304
(AISI Type 316 available upon request)

Hotdip Galvanized: ASTM A 153 Class B-2: (1.50 oz/ ft²).(0.46kg/m²)

Plain Carbon Steel: ASTM A1008/A1008M
Structural Steel ASTM A36/A36M-08
Wire: ASTM A 82/A82M Tensile Strengths 80,000 psi Yield Point 70,000 psi