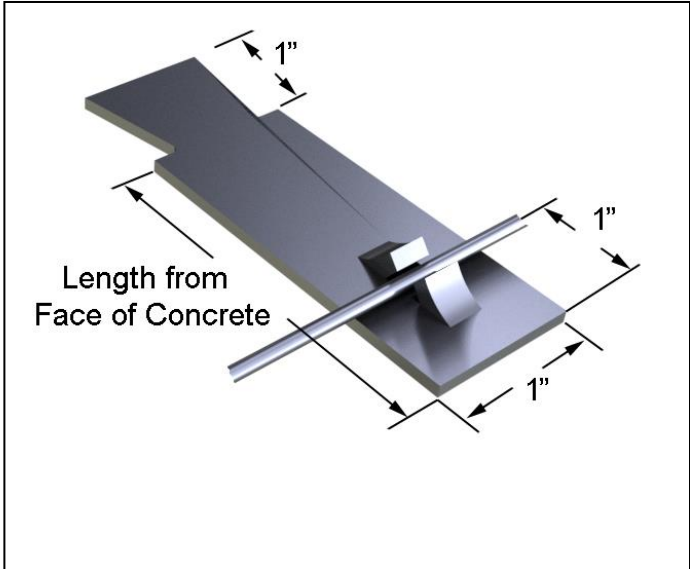


**Submittal Sheet**  
**#361 Dovetail Seismic Anchor**

Used for attaching brick veneer to concrete backups with installed #100 Dovetail Anchor Slot for areas in seismic zones requiring a reinforcement wire in the exterior brick veneer. Raised tab in flat section allows for placement of Pencil Rod or Masonry Wall Reinforcement. This allows for the in plane horizontal and vertical movement of the masonry walls while restraining tension and compression.

(NOTE – The code requirement for exterior wall reinforcement in seismic zones D, E and F have been removed from the TMS402 Masonry Code 2013 version and IBC 2015)



**Specials:**

Thickness:  11 gage  16 gage

Length from face of concrete: \_\_\_\_\_

Width: 1"

Finish:  Stainless type 304  Hot Dip Galvanized  
 Mill Galvanized

Quantity: \_\_\_\_\_

**Material Specifications**

**Stainless Steel:** Sheet metal anchors and ties: ASTM A 167, ASTM A 666, ASTM A 240/A240M AISI Type 304.

Wire ties and anchors: ASTM A 580 AISI Type 304

(AISI Type 316 available upon request)

**Hotdip Galvanized:** ASTM A 153 Class B-2: (1.50 oz/ ft<sup>2</sup>).(0.46kg/m<sup>2</sup>)

**Mill Galvanized:** Sheet metal anchors and ties: ASTM A 653 G60

Wire: ASTM A 641 (0.1 oz/ ft<sup>2</sup>.)

**Plain Carbon Steel:** ASTM A1008/A1008M Structural Steel ASTM A36/A36M-08

Wire: ASTM A 82/A82M Tensile Strengths 80,000 psi Yield Point 70,000 psi