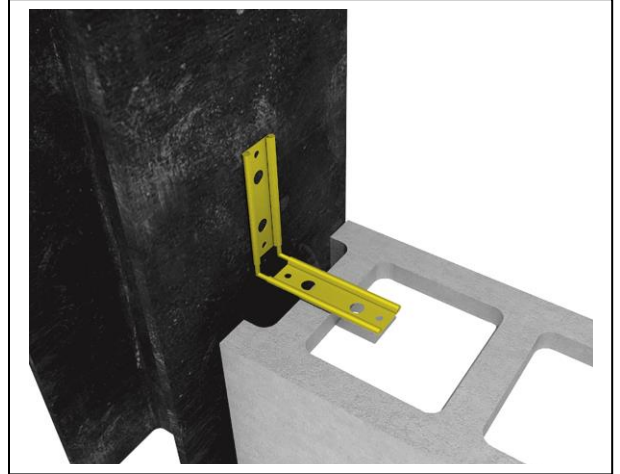
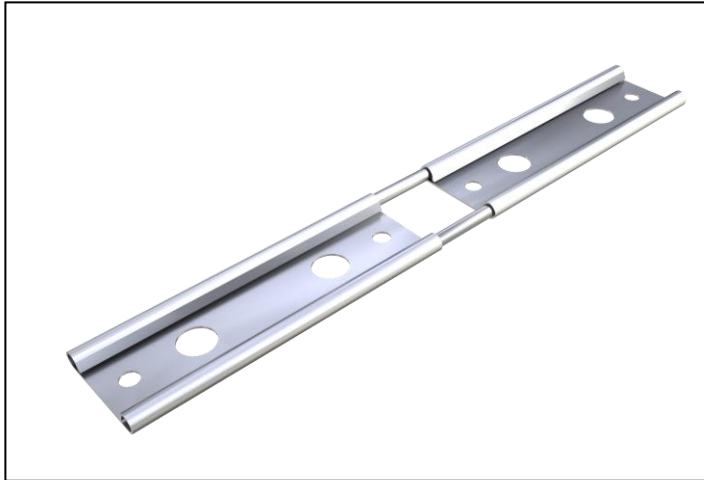


Submittal Sheet
#353 Joint Stabilizing Anchor

Allows expansion and contraction in a masonry wall. Resists out-of-plane shear forces while allowing for in-plane movement of the masonry.



Standards:

Thickness: 22 gage

Overall Length: 10" Width: 1 1/2"

Finish: Mill Galvanized Mill Galvanized and Plastic
 Stainless Steel Stainless Steel and Plastic

Quantity: _____

Material Specifications

Stainless Steel: Sheet metal anchors and ties: ASTM A 167, ASTM A 666, ASTM A 240/A240M AISI Type 304.

Wire ties and anchors: ASTM A 580 AISI Type 304

(AISI Type 316 available upon request)

Mill Galvanized: Sheet metal anchors and ties: ASTM A 653 G60

Wire: ASTM A 641 (0.1 oz/ ft².)