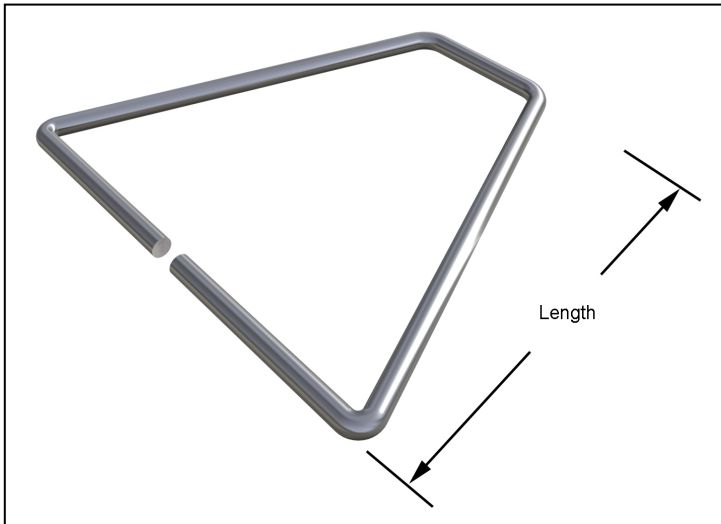


Wire Veneer Anchor used with adjustable backup anchors for attaching brick or CMU to backup.



Standard

Special

Standards:

Thickness: 3/16" diameter

Length: 3" 4" 5" 6" 7" 9" 11"

Finish: Stainless type 304 Hot Dip Galvanized

Specials:

Thickness: 3/16" diameter Length: _____

Finish: Stainless type 304 Hot Dip Galvanized

Quantity: _____

Material Specifications

Stainless Steel: Sheet metal anchors and ties: ASTM A 167, ASTM A 666, ASTM A 240/A240M AISI Type 304.
 Wire ties and anchors: ASTM A 580 AISI Type 304
 (AISI Type 316 available upon request)

Hotdip Galvanized: ASTM A 153 Class B-2:
 (1.50 oz/ ft²).(0.46kg/m²)

Plain Carbon Steel: ASTM A1008/A1008M
 Structural Steel ASTM A36/A36M-08
 Wire: ASTM A 82/A82M Tensile Strengths
 80,000 psi Yield Point 70,000 psi