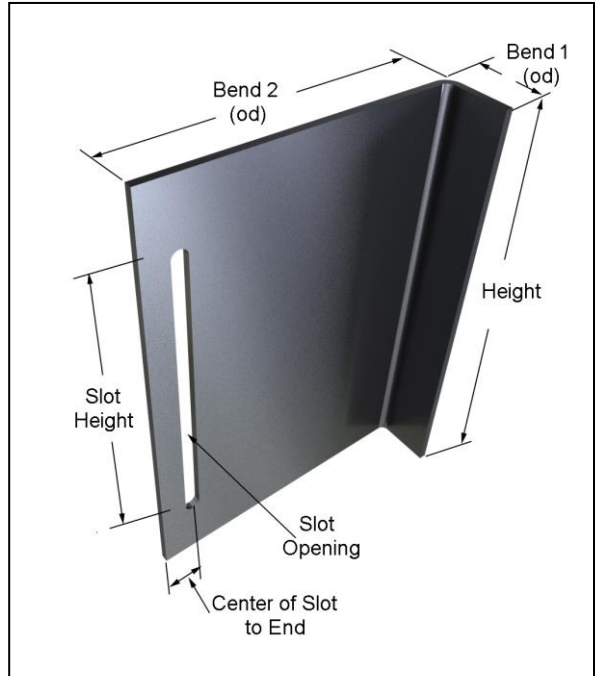


**Submittal Sheet  
 #308 Receptacle Slot Anchor**

14 gage or 1/8" x 7" high with a bend for welding to the beam. Vertical 1/4" x 5" slot for wire tie is centered in the slot. Specify Plain Steel or Hotdip Galvanized After Fabrication along with dimensions.



**Made to Order:**

Thickness:  1/8"       14 gage

Height: 7"      Bend2 (od): \_\_\_\_\_

Finish:  Hot Dip Galvanized  Plain Steel

Bend1 (od): \_\_\_\_\_

Center of Slot to End: \_\_\_\_\_

Quantity: \_\_\_\_\_

Slot is 1/4" x 5".

**Material Specifications**

**Hotdip Galvanized:** ASTM A 153 Class B-2:  
 (1.50 oz/ ft<sup>2</sup>)(0.46kg/m<sup>2</sup>)

**Plain Carbon Steel:** ASTM A1008/A1008M  
 Structural Steel ASTM A36/A36M-08

Wire: ASTM A 82/A82M Tensile Strengths  
 80,000 psi Yield Point 70,000 psi