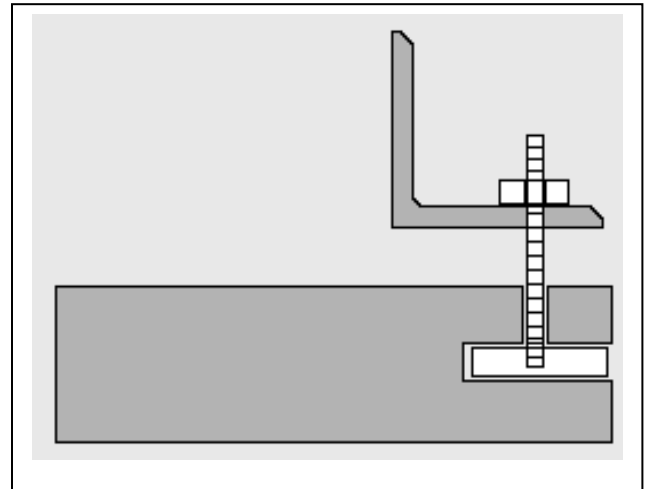
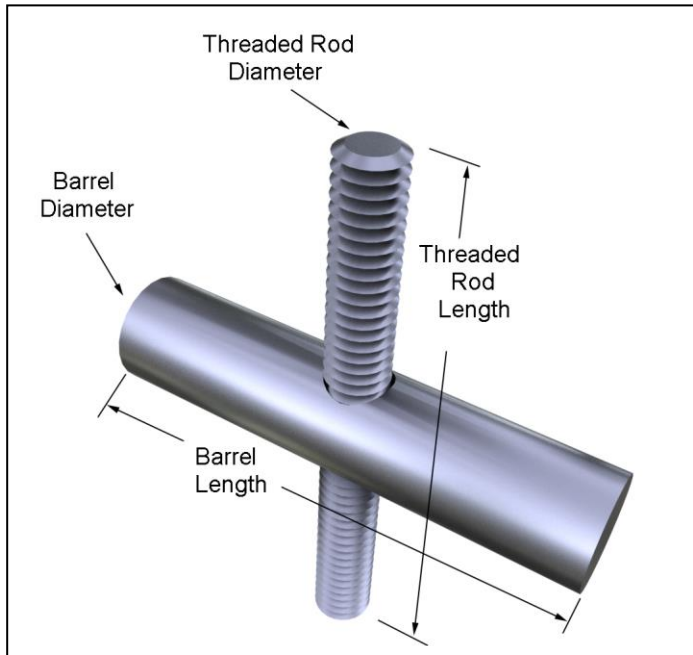


**Submittal Sheet**  
**298 Threaded Barrel Anchor**

Used for stone attachments. The drilled and tapped Barrel is 5/8" or 3/4" diameter x 3" (76 mm) minimum long with a 3/8" (9.5 mm) diameter continuous threaded rod cut to desired length. Stainless Steel.

Special Sizes Available, but barrel diameter should always be a minimum of 3/8" diameter larger than the diameter of the threaded rod.



**Made to Order:**

Barrel Thickness:  5/8"  3/4"

Barrel Length: \_\_\_\_\_

Finish: Stainless type 304

Threaded Rod Dia: 3/8"

Threaded Rod Length: \_\_\_\_\_

Quantity: \_\_\_\_\_

**Material Specifications**

**Stainless Steel:** Sheet metal anchors and ties:  
 ASTM A 167, ASTM A 666, ASTM A  
 240/A240M AISI Type 304.  
 Wire ties and anchors: ASTM A 580 AISI Type  
 304  
 (AISI Type 316 available upon request)