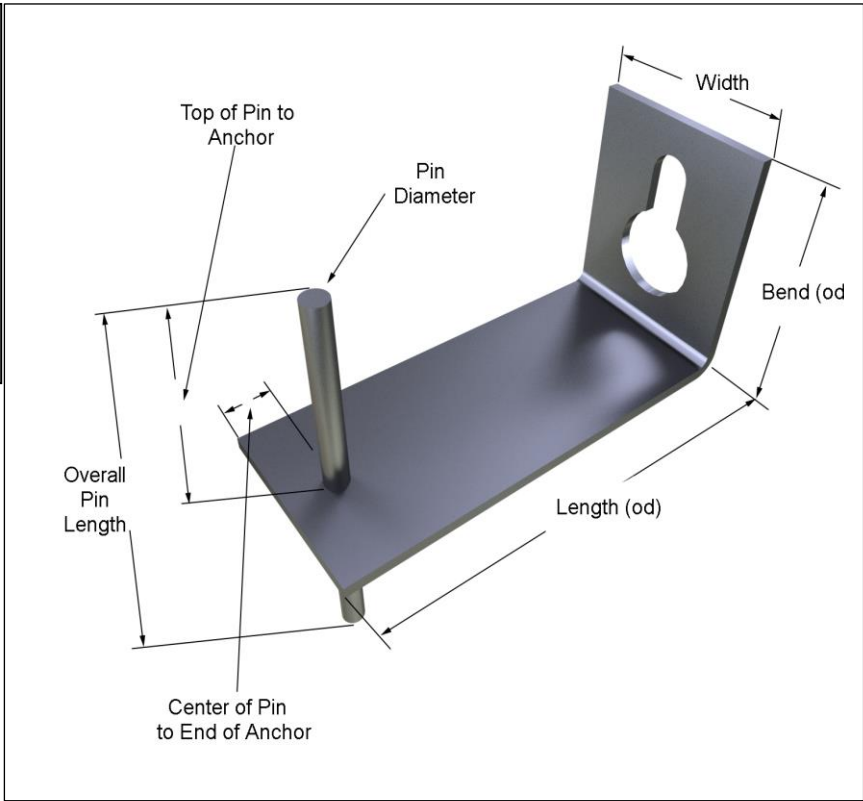
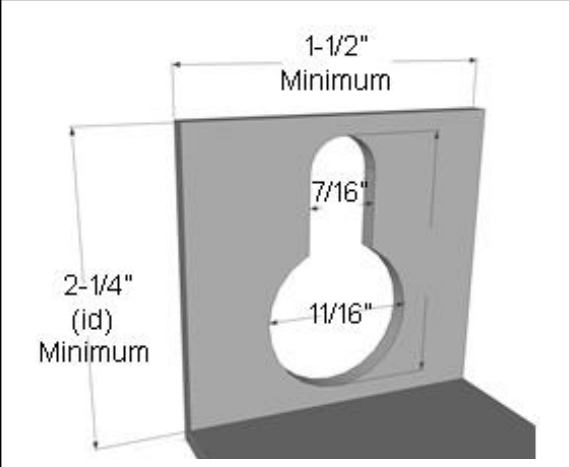


**Submittal Sheet**  
**#276-KB Keybolt Pin-Type Anchor**

**MADE TO ORDER**

Used to anchor stone with the Heckmann Pos-I-Tie® #75-KB Keybolt anchoring system. The Keybolt Barrel Screw installs through insulation in the backup and the hole is sealed with a tightened nut and washer. The anchor is installed between the two nuts and aligned with the stone. The outer nut is tightened to secure the anchor.



**Specials:**  
 Thickness:  1/4"  3/16"  1/8"  12 gage  14 gage

Length: (od): \_\_\_\_\_ Width: (minimum 1-1/2": \_\_\_\_\_

Bend Length: (od) \_\_\_\_\_ (minimum 2-1/4")

**Pin**  
 Diameter:  1/4"  3/8"  1/2"  5/8"  3/4"

Pin Overall Length: \_\_\_\_\_

Top of Pin to Anchor: \_\_\_\_\_

Center of Pin to End of Anchor: \_\_\_\_\_  Loose  Welded

Finish: Stainless Type 304      Quantity: \_\_\_\_\_

**Material Specifications**

**Stainless Steel:** Sheet metal anchors and ties: ASTM A 167, ASTM A 666, ASTM A 240/A240M AISI Type 304.  
 Wire ties and anchors: ASTM A 580 AISI Type 304  
 (AISI Type 316 available upon request)