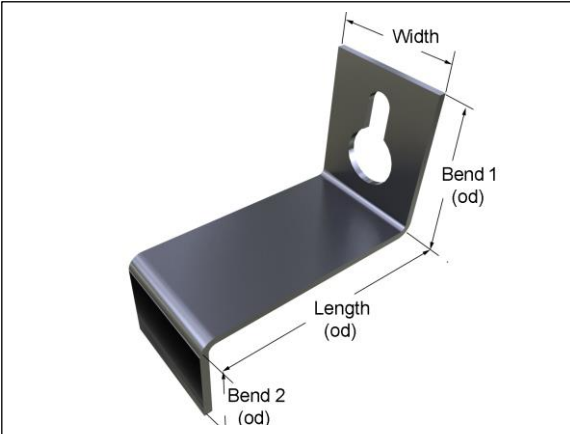
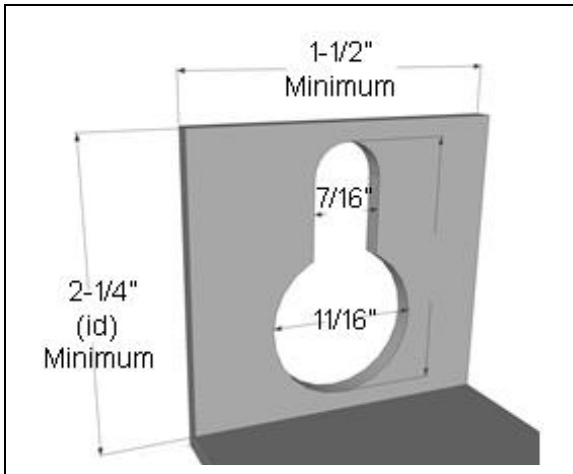
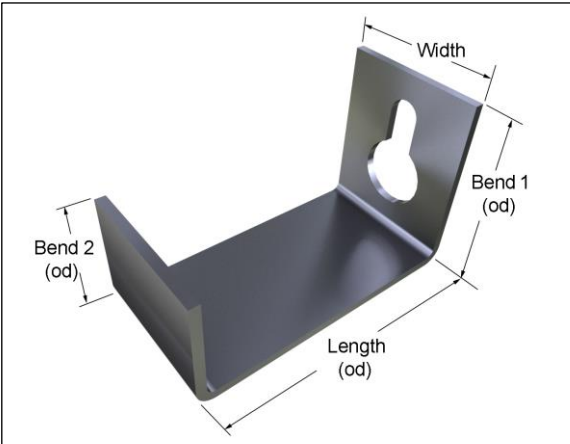


**Submittal Sheet**  
**#275-UKB Keybolt U-Type Anchor**  
**#275-ZKB Keybolt Z-Type Anchor**

**MADE TO ORDER**

Used to anchor stone with the Heckmann Pos-I-Tie® Keybolt anchoring system. The Keybolt Barrel Screw installs through insulation in the backup and the hole is sealed with a tightened nut and washer. The anchor is installed between the two nuts and aligned with the stone. The outer nut is tightened to secure the anchor.



**Specials:**

- 275-KBU – KeyBolt U-Type Anchor
- 275-KBZ – KeyBolt Z-Type Anchor

Thickness:  1/4"  3/16"  1/8"  12 gage  14 gage

Length (od): \_\_\_\_\_ Width (minimum 1-1/2": \_\_\_\_\_

Keyslot Bend 1 Length (od) \_\_\_\_\_ (minimum 2-1/4")

Bend 2: (od) \_\_\_\_\_

Finish: Stainless Type 304

Quantity: \_\_\_\_\_

**Material Specifications**

**Stainless Steel:** Sheet metal anchors and ties: ASTM A 167, ASTM A 666, ASTM A 240/A240M AISI Type 304.  
Wire ties and anchors: ASTM A 580 AISI Type 304  
(AISI Type 316 available upon request)