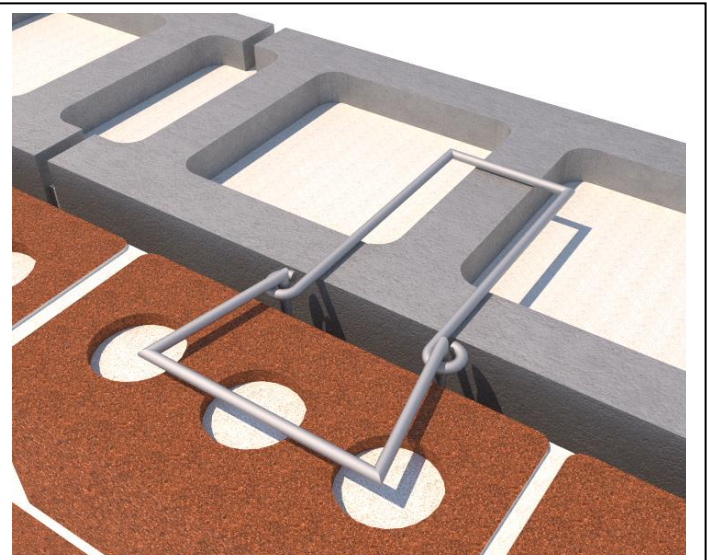
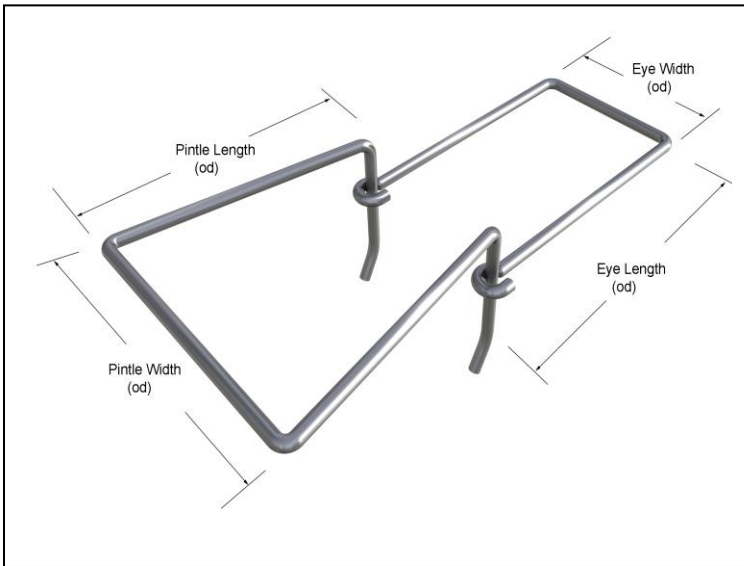


Used for tying two masonry walls that require an adjustable anchoring system. #262 eye rod anchor is embedded in a CMU backup wall. The #263 pintle is placed in the veneer joint. 62 eye rod anchor is embedded in a CMU backup wall. The 263 pintle is placed in the veneer joint.



**Standards:**

**#262 Double Eye Rod Anchor**

Thickness: 3/16"

Length:  2 3/4"  4 3/4"

Width: 2 1/4"

**#263 Double Pintle Tie**

Thickness: 3/16"

Length:  3 1/4"  4 1/4"  5 1/4"

Width: 2"

Finish:  Hot Dip Galvanized  Mill Galvanized

Quantity (pairs): \_\_\_\_\_

**Material Specifications**

**Hotdip Galvanized:** ASTM A 153 Class B-2:  
(1.50 oz/ ft<sup>2</sup>)(0.46kg/m<sup>2</sup>)

**Mill Galvanized:** Sheet metal anchors and  
ties: ASTM A 653 G60

Wire: ASTM A 641 (0.1 oz/ ft<sup>2</sup>.)

**Plain Carbon Steel:** ASTM A1008/A1008M  
Structural Steel ASTM A36/A36M-08

Wire: ASTM A 82/A82M Tensile Strengths  
80,000 psi Yield Point 70,000 psi