

**Submittal Sheet
 #216 Wire-Type
 Column Anchors**

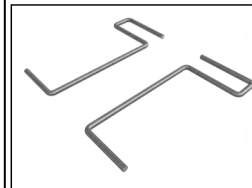
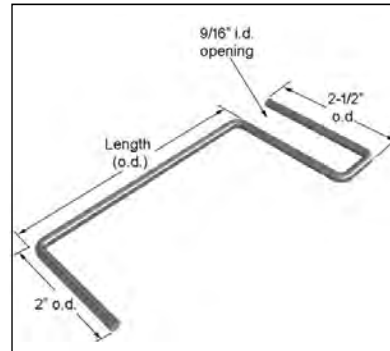
Used to tie masonry walls to steel columns with the column flanges parallel to the wall. Installed in pairs.

Lengths are measured from the inside of the flange loop to the masonry bend.

Test Data:

Anchors were tested in pairs by placing them onto the flat stock so that both wires were lying in the same vertical plane. The 2" (50.8mm) masonry bends were clamped and attached to a load cell. The test was to determine failure at the loop that hooks onto the beam.

3/16" diameter failure at 816 pounds



Material Specifications

Stainless Steel: Wire ties and anchors: ASTM A 580 AISI Type 304

Diameter: 3/16"

Length: 3" 5" 7" or Special Length _____

Finish: Stainless Steel Hotdip Galvanized

Quantity (pcs): _____