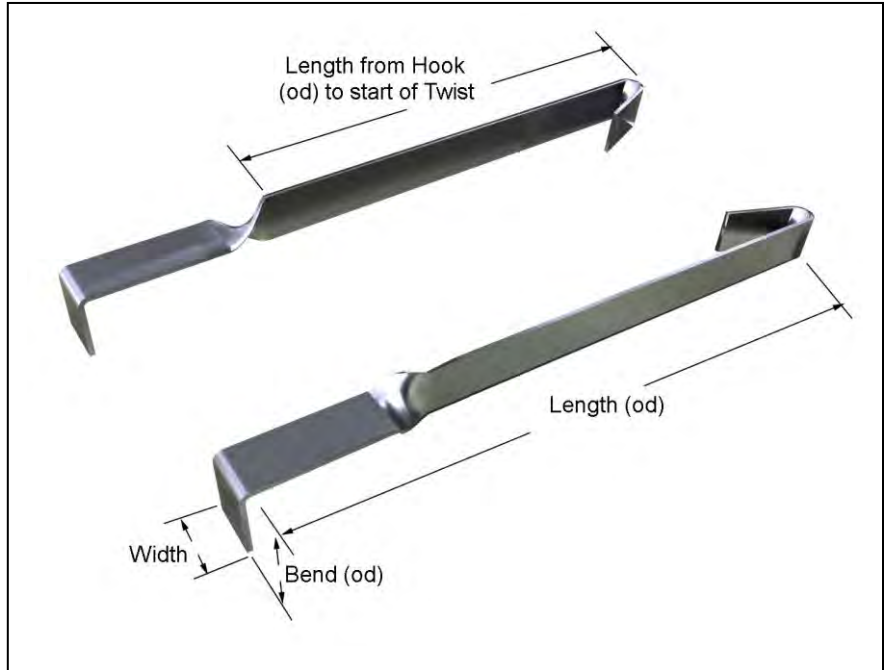


**Submittal Sheet**  
**#195 Twisted-Type**  
**Column Anchor**

Used to tie CMU wall back to a vertical steel column with the flanges perpendicular to the CMU wall.



Anchors clip onto the left and right side of the flange and the bends are grouted in the CMU walls. If there is an airspace between the steel column and the CMU then the anchors must be bolted or welded to the column.



**Specials:**

Thickness:  3/16"  1/8"  12 gage

Width: \_\_\_\_\_ Overall Length (od): \_\_\_\_\_

Length from hook od to start of twist: \_\_\_\_\_

Bend Length (od): \_\_\_\_\_

Finish:  Stainless type 304  Zinc Alloy 710 (1/8" only)  
 Hotdip Galvanized  
 Mill Galvanized (1/8" and 12 ga only)

Quantity (pairs): \_\_\_\_\_

**Material Specifications**

**Stainless Steel:** Sheet metal anchors and ties: ASTM A 167, ASTM A 666, ASTM A 240/A240M AISI Type 304.  
 (AISI Type 316 available upon request)

**Mill Galvanized:** Sheet metal anchors and ties: ASTM A 653 G60

**Hotdip Galvanized:** ASTM A 153 Class B-2: (1.50 oz/ ft2.)(0.46kg/m2)

**Plain Carbon Steel:** ASTM A1008/A1008M Structural Steel ASTM A36/A36M-08

**Firewall Anchors:** Rolled Strip Zinc Alloy 710. (1/8" only)