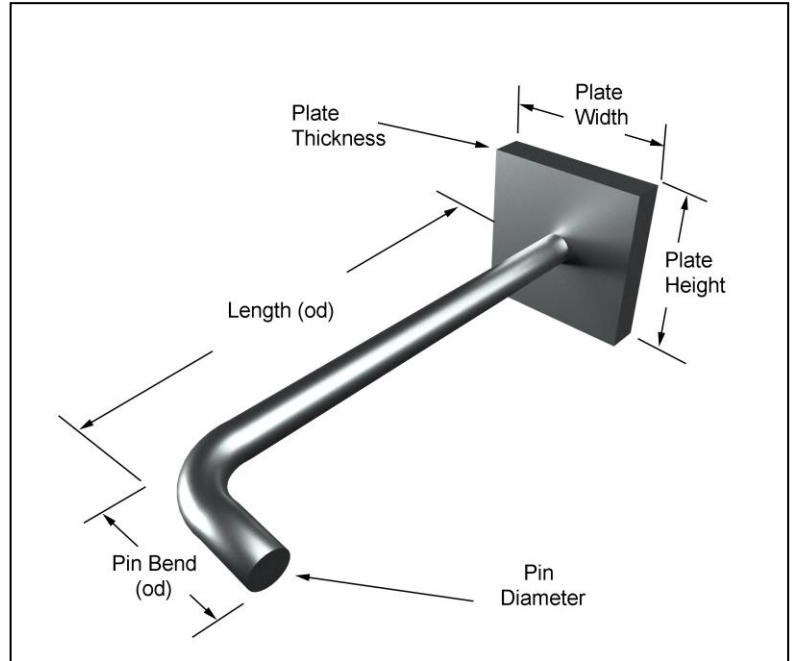


Submittal Sheet
#160 L-Anchor Rod with Plate

L-Rod is welded to the plate.



Made to Order

Plate

Thickness: 1/4" 3/16" 1/8"
 12 gage 14 gage 16 gage

Plate Height: _____ Plate Width: _____

Pin

Diameter: 1/4" 3/8" 1/2" 5/8" 3/4"

Pin Length (od): _____ Pin Bend (od): _____

Finish: Stainless type 304 Hot Dip Galvanized
 Plain Steel

Quantity: _____

Material Specifications

Stainless Steel: Sheet metal anchors and ties:

Rod: ASTM A 580 AISI Type 304

(AISI Type 316 available upon request)

Hotdip Galvanized: ASTM A 153 Class B-2:

(1.50 oz/ ft²)(0.46kg/m²)

Plain Carbon Steel:

Wire: ASTM A 82/A82M Tensile Strengths

80,000 psi Yield Point 70,000 psi