

Submittal Sheet
#143 Twisted-Type Stone Anchor

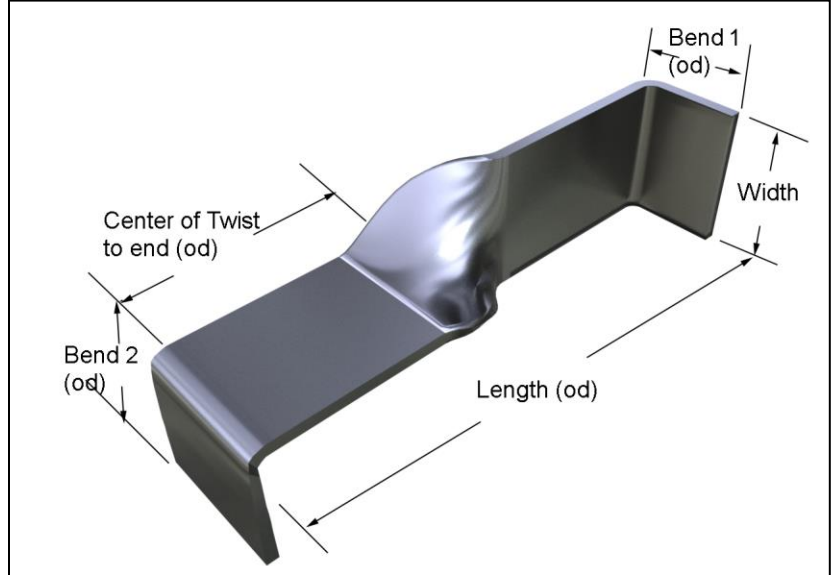
For tying stone or CMU walls together.

1/4" thick Stainless Steel Twisted anchors are not available. 3/16" is thickest in Stainless.

Available Twist thickness & widths

<u>thickness</u>	<u>max SS width</u>	<u>max mild width</u>
1/4"	n/a	1"
3/16"	1-1/4"	1-1/4"
1/8"	1-1/2"	1-1/2"

Standard twist is 1-3/4" long



Made to Order:

Thickness: 1/4" 3/16" 1/8"
 12 gage 14 gage 16 gage

Length od: _____

Width: _____

Bend 1 (od): _____ Bend 2 (od): _____

Center of twist to end of anchor (od): _____

Finish: Stainless type 304 Hot Dip Galvanized
 Plain Steel Zinc Alloy 710

Quantity: _____

Material Specifications

Stainless Steel: Sheet metal anchors and ties: ASTM A 167, ASTM A 666, ASTM A 240/A240M AISI Type 304.

(AISI Type 316 available upon request)

Hotdip Galvanized: ASTM A 153 Class B-2: (1.50 oz/ ft²).(0.46kg/m²)

Mill Galvanized: Sheet metal anchors and ties: ASTM A 653 G60

Plain Carbon Steel: ASTM A1008/A1008M Structural Steel ASTM A36/A36M-08

Firewall Anchors: Rolled Strip Zinc Alloy 710. (Firewall alloy 1/8" and 16 gage only)