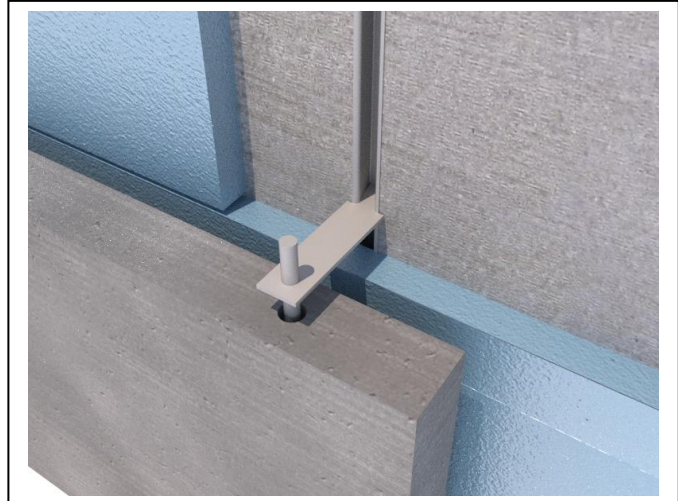
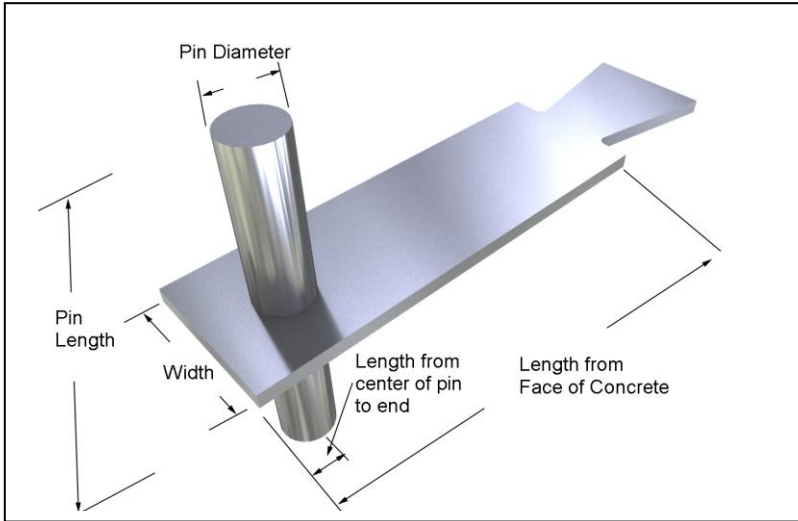


Used to attach stone to a concrete backup wall with #100 Dovetail Anchor Slot.

Pins are available loose or welded in place. Pins furnished loose allow the stone installer to use the anchor as a template for drilling holes into the stone.



**Made to Order:**

**Anchor**

Thickness:  3/16"  1/8"  12 gage

Length from face of concrete: \_\_\_\_\_

Width (1" minimum): \_\_\_\_\_

Finish:  Stainless type 304  Hot Dip Galvanized  
 Mill Galvanized

Hole location: Centered \_\_\_\_\_ from end

**Pin**

Pin Diameter:  1/4"  3/8"  1/2"  5/8"  3/4"

Pin Length: \_\_\_\_\_  Loose  Welded

Quantity: \_\_\_\_\_

**Material Specifications**

**Stainless Steel:** Sheet metal anchors and ties: ASTM A 167, ASTM A 666, ASTM A 240/A240M AISI Type 304.

Wire ties and anchors: ASTM A 580 AISI Type 304

(AISI Type 316 available upon request)

**Hotdip Galvanized:** ASTM A 153 Class B-2: (1.50 oz/ ft<sup>2</sup>)(0.46kg/m<sup>2</sup>)

**Mill Galvanized:** Sheet metal anchors and ties: ASTM A 653 G60

Wire: ASTM A 641 (0.1 oz/ ft<sup>2</sup>.)

**Plain Carbon Steel:** ASTM A1008/A1008M Structural Steel ASTM A36/A36M-08

Wire: ASTM A 82/A82M Tensile Strengths 80,000 psi Yield Point 70,000 psi