



# Heckmann Building Products Inc.

1501 N. 31<sup>st</sup> Avenue  
Melrose Park, IL 60160-2911  
800-621-4140 or 708-865-2403  
Fax: 708-865-2640

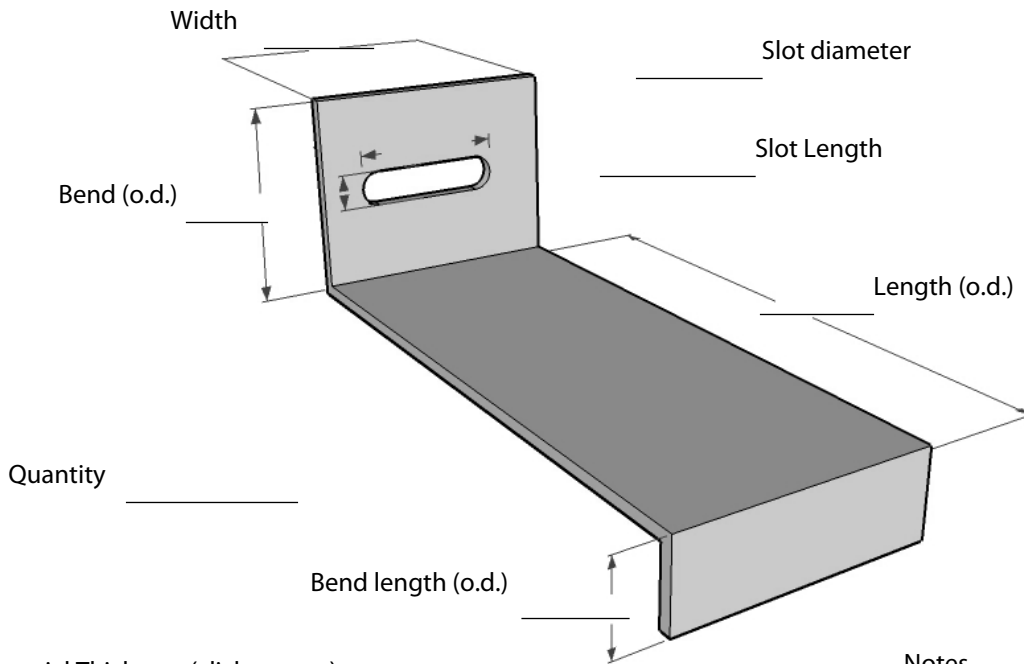
Date \_\_\_\_\_

WebSite: [www.heckmannanchors.com](http://www.heckmannanchors.com)  
E-Mail: [info@heckmannanchors.com](mailto:info@heckmannanchors.com)

To: Heckmann Sales Department

From:

## #295 Z-Type Granite Anchor with Slot



Quantity \_\_\_\_\_

Material Thickness (click on one)

Steel Type (click on one)

Notes