



## Heckmann Building Products Inc.

1501 N. 31<sup>st</sup> Avenue

Melrose Park, IL 60160-2911

800-621-4140 or 708-865-2403

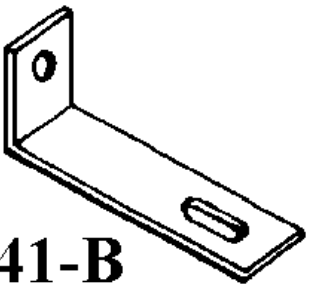
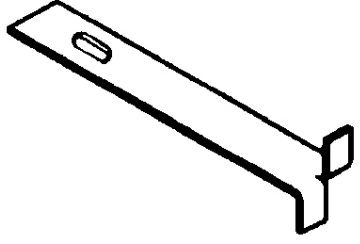
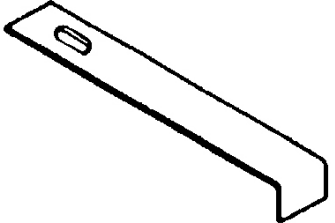
Fax: 708-865-2640

WebSite: [www.heckmannanchors.com](http://www.heckmannanchors.com)

E-Mail: [Heckmann@worldnet.att.net](mailto:Heckmann@worldnet.att.net)

### Adjustable Stone Anchors

Custom Made – Bolt Pieces together at Slot

Backup Wall	
 <b>341-B</b>	Specify Thickness, Length, Width, Bend Length, Diameter and location of hole in bend, Slot Size and location.
Stone	
 <b>148</b>	Specify Thickness, Length, Width, Split Bend Length, Slot Size and Location
 <b>144</b>	Specify Thickness, Length, Width, Bend Length, Slot Size and Location