



Heckmann Building Products Inc.

1501 N. 31st Avenue

Melrose Park, IL 60160-2911

800-621-4140 or 708-865-2403 Fax: 708-865-2640

www.heckmannbuildingprods.com

SUBMITTAL SHEET: 360 L-TYPE SEISMIC ANCHOR

Made to Order

Available Thickness: 16ga, 14ga, 12ga, 11ga, 1/8", and 3/16"

Minimum Width 1", Minimum Length 2", Minimum Bend 1".

Available in Stainless Steel, Hotdip Galvanized After Fabrication, Electro Galvanized After Fabrication, and Mill Galvanized.

Hole in bend Should be 1/16" larger than the screw/bolt used.

Raised tab in flat section allows for placement of Pencil Rod or Masonry Wall Reinforcement. This allows for the in plane horizontal and vertical movement of the masonry walls while restraining tension and compression.

Stainless Steel:

Sheet metal anchors and ties: ASTM A 167 AISI Type 304.

Plate and bent bar anchors: ASTM A 666 AISI Type 304.

Wire ties and anchors: ASTM A 580 AISI Type 304.

Hotdip Galvanized:

ASTM A 153 Class B-2: (1.50 oz/ ft²)(0.46kg/m²)

Mill Galvanized:

Sheet metal anchors and ties: ASTM A 653 G60

Wire: ASTM A 641 (0.1 oz/ ft².)

Plain Steel:

Sheet Metal anchors and ties: ASTM A 569, ASTM A 366.

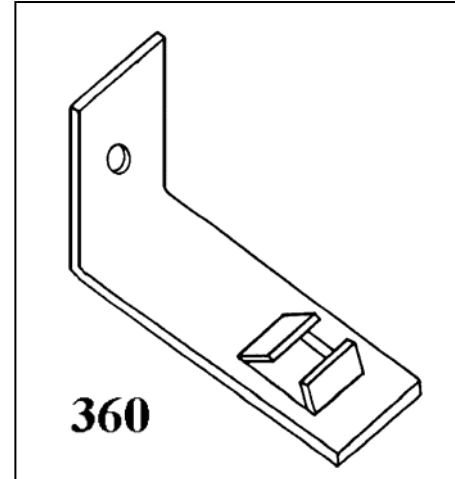
Plates, bars, and shapes: ASTM A 123, ASTM A 36.

Wire: ASTM A 82, ASTM A 82-95a.

Firewall Anchors:

Rolled Strip Zinc Alloy 710.

(Firewall alloy 1/8" and 16 gage only)



Approvals:

Comments: