



Heckmann Building Products Inc.

1501 N. 31st Avenue

Melrose Park, IL 60160-2911

800-621-4140 or 708-865-2403 Fax: 708-865-2640

www.heckmannbuildingprods.com

SUBMITTAL SHEET: #287 SCREW-ON STONE ANCHOR WITH TWO HOLES

#287-U – For U-Type

#287-Z – for Z-Type

MADE TO ORDER

Thickness: 1/4", 3/16", 1/8", 11 gage, 12 gage, & 16 gage.

Strap Width: Minimum 3" wide recommended.

Length: Specify length as the inside dimensions between the bend with holes and the bend.

Bend with Holes: 1-1/2" minimum recommended. Specify diameter and spacing of holes. Holes should be 1/16" bigger than the bolt used. (3/8" diameter bolt would require a 7/16" diameter hole)

Bend: Minimum 3/4" recommended.

Available in Stainless Steel, Hotdip Galvanized After Fabrication, or Plain Steel. Stainless Steel recommended for any exterior stone application.

Stainless Steel:

Sheet metal anchors and ties: ASTM A 167 AISI Type 304.

Plate and bent bar anchors: ASTM A 666 AISI Type 304.

Wire ties and anchors: ASTM A 580 AISI Type 304.

Hotdip Galvanized:

ASTM A 153 Class B-2: (1.50 oz/ ft²).(0.46kg/m²)

Mill Galvanized:

Sheet metal anchors and ties: ASTM A 653 G60

Wire: ASTM A 641 (0.1 oz/ ft²)

Plain Steel:

Sheet Metal anchors and ties: ASTM A 569, ASTM A 366.

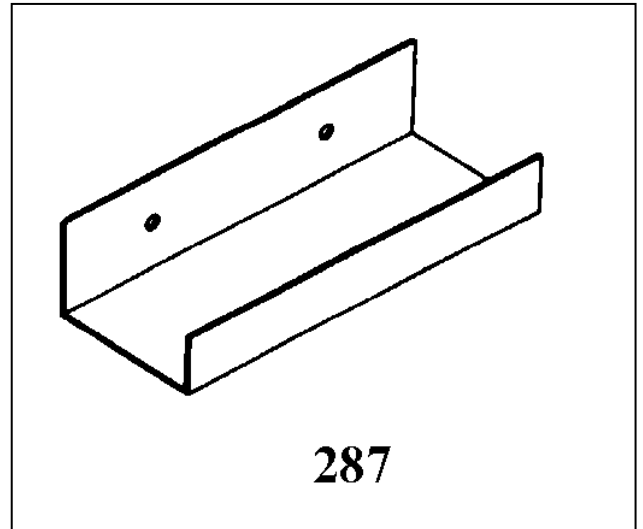
Plates, bars, and shapes: ASTM A 123, ASTM A 36.

Wire: ASTM A 82, ASTM A 82-95a.

Firewall Anchors:

Rolled Strip Zinc Alloy 710.

(Firewall alloy 1/8" and 16 gage only)



Approvals:

Comments: