



Heckmann Building Products Inc.

1501 N. 31st Avenue

Melrose Park, IL 60160-2911

800-621-4140 or 708-865-2403 Fax: 708-865-2640

www.heckmannbuildingprods.com

SUBMITTAL SHEET: No. 282 DOUBLE PINTLE WIRE TIE

Standard: 3/16" diameter wire ties available in 3 1/4", 4 1/4", and 5 1/4" lengths. Pintles are 2-1/2" long. Available in Mill Galvanized, Hotdip Galvanized After Fabrication, and Stainless Steel.

(Used in conjunction with No. 213 Wire Veneer Anchor System and No. 259-W Corrugated Double Anchor).

Maximum allowable adjustment distance is 1 1/4" from the plane of the two anchors.

Stainless Steel:

Sheet metal anchors and ties: ASTM A 167 AISI Type 304.

Plate and bent bar anchors: ASTM A 666 AISI Type 304.

Wire ties and anchors: ASTM A 580 AISI Type 304.

Hotdip Galvanized:

ASTM A 153 Class B-2: (1.50 oz/ ft²)(0.46kg/m²)

Mill Galvanized:

Sheet metal anchors and ties: ASTM A 653 G60

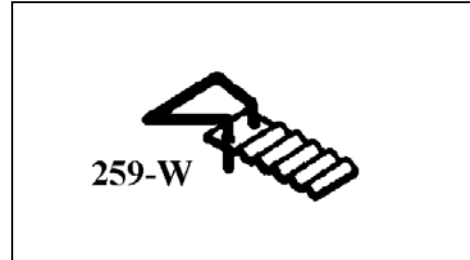
Wire: ASTM A 641 (0.1 oz/ ft².)

Plain Steel:

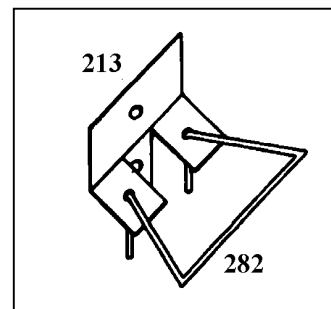
Sheet Metal anchors and ties: ASTM A 569, ASTM A 366.

Plates, bars, and shapes: ASTM A 123, ASTM A 36.

Wire: ASTM A 82, ASTM A 82-95a.



259-W



213

282

Approvals:

Comments: