



# Heckmann Building Products Inc.

1501 N. 31<sup>st</sup> Avenue

Melrose Park, IL 60160-2911

800-621-4140 or 708-865-2403 Fax: 708-865-2640

[www.heckmannbuildingprods.com](http://www.heckmannbuildingprods.com)

## SUBMITTAL SHEET: #269 WIRE MESH WALL TIES

Used as a tie between intersecting masonry walls and also used under a bond beam to confine grout.

Made to Order

16 gage Hotdip Galvanized Wire Mesh 1/2" squares. Specify Length and Width of tie. Maximum size 3ft wide x 10ft long flat or in 100 lin ft rolls x 3" wide.

### **Stainless Steel:**

Sheet metal anchors and ties: ASTM A 167 AISI Type 304.

Plate and bent bar anchors: ASTM A 666 AISI Type 304.

Wire ties and anchors: ASTM A 580 AISI Type 304.

### **Hotdip Galvanized:**

ASTM A 153 Class B-2: (1.50 oz/ ft<sup>2</sup>)(0.46kg/m<sup>2</sup>)

### **Mill Galvanized:**

Sheet metal anchors and ties: ASTM A 653 G60

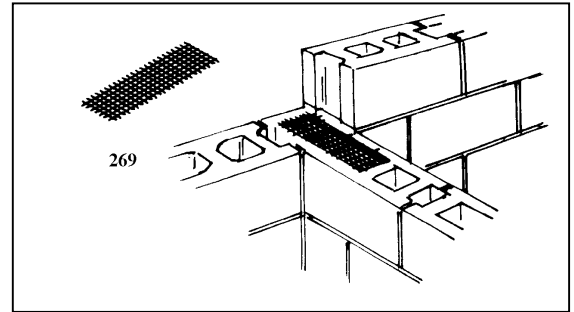
Wire: ASTM A 641 (0.1 oz/ ft<sup>2</sup>.)

### **Plain Steel:**

Sheet Metal anchors and ties: ASTM A 569, ASTM A 366.

Plates, bars, and shapes: ASTM A 123, ASTM A 36.

Wire: ASTM A 82, ASTM A 82-95a.



Approvals:

Comments: