



# Heckmann Building Products Inc.

1501 N. 31<sup>st</sup> Avenue

Melrose Park, IL 60160-2911

800-621-4140 or 708-865-2403 Fax: 708-865-2640

[www.heckmannbuildingprods.com](http://www.heckmannbuildingprods.com)

## SUBMITTAL SHEET: #231 STAY-PUT FLASHING REGLET

The stay-put flashing reglet is the most reliable way to terminate roofing, waterproofing, and flashing in concrete walls. Use at parapet walls and above shelf angles, lintels, and ledges.

Standard Size: 26 gage 1" and 1/2" flanges with 1/4" lips for adhering to concrete. Opening is 1/2" x 1-3/4" deep at a 65 degree angle into the wall. (Actual depth from face of concrete is 1-1/2".) Standard length is 10 feet. Available in Stainless Steel or Mill Galvanized Steel. Supplied foam-filled to prevent concrete from entering the slot during the pour. (See product #234 Small Stay-Put Flashing Reglet for smaller slot size)

Installation: Nail to inside face of concrete forms. Use double-headed nails to resist damage when forms are stripped. Roofing or flashing is typically secured in reglet with lead wedges, resilient rod stock, or sealants.

### **Stainless Steel:**

Sheet metal anchors and ties: ASTM A 167 AISI Type 304.

Plate and bent bar anchors: ASTM A 666 AISI Type 304.

Wire ties and anchors: ASTM A 580 AISI Type 304.

### **Hotdip Galvanized:**

ASTM A 153 Class B-2: (1.50 oz/ ft<sup>2</sup>)(0.46kg/m<sup>2</sup>)

### **Mill Galvanized:**

Sheet metal anchors and ties: ASTM A 653 G60

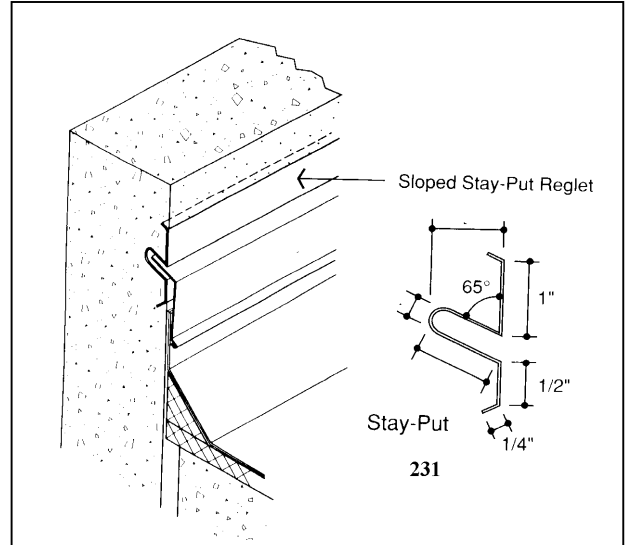
Wire: ASTM A 641 (0.1 oz/ ft<sup>2</sup>.)

### **Plain Steel:**

Sheet Metal anchors and ties: ASTM A 569, ASTM A 366.

Plates, bars, and shapes: ASTM A 123, ASTM A 36.

Wire: ASTM A 82, ASTM A 82-95a.



Approvals:

Comments: