



Heckmann Building Products Inc.

1501 N. 31st Avenue

Melrose Park, IL 60160-2911

800-621-4140 or 708-865-2403 Fax: 708-865-2640

www.heckmannbuildingprods.com

SUBMITTAL SHEET: #189 L-TYPE COLUMN ANCHORS

Standard Size is 1/8" x 2" wide x 7" Long + 1-1/2"
Bend with a 5/8" x 1" notch starting 1" from top of
anchor. Mill Galvanized Steel & Hotdip Galvanized
After Fabrication.

Sold individually as 189-L or 189-R.

Custom fabrications available in 16ga, 14ga, 12ga,
1/8", 3/16", & 1/4" steel.

Specify Overall Length (i.d. to bend), Width, Bend
Length (i.d.), size and location of notch. (1"
minimum of steel recommended between end of
anchor and beginning of the notch.)

Available in Plain, Mill Galv (1/8" & lighter),
Hotdip Galvanized After Fabrication, Electro
Galvanized, and Stainless steel.

Stainless Steel:

Sheet metal anchors and ties: ASTM A 167 AISI Type 304.

Plate and bent bar anchors: ASTM A 666 AISI Type 304.

Wire ties and anchors: ASTM A 580 AISI Type 304.

Hotdip Galvanized:

ASTM A 153 Class B-2: (1.50 oz/ ft²)(0.46kg/m²)

Mill Galvanized:

Sheet metal anchors and ties: ASTM A 653 G60

Wire: ASTM A 641 (0.1 oz/ ft²)

Plain Steel:

Sheet Metal anchors and ties: ASTM A 569, ASTM A 366.

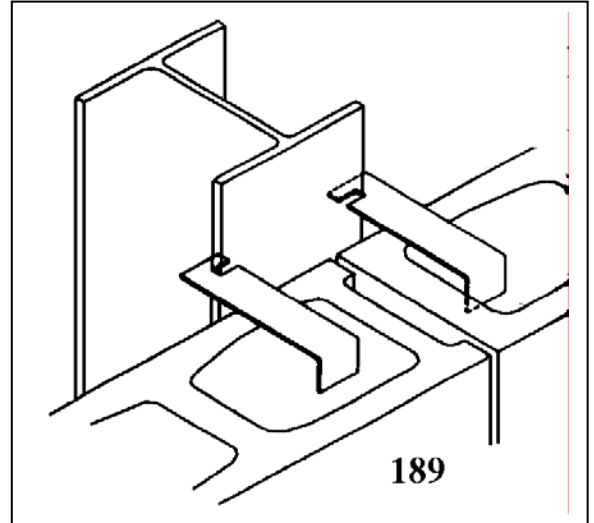
Plates, bars, and shapes: ASTM A 123, ASTM A 36.

Wire: ASTM A 82, ASTM A 82-95a.

Firewall Anchors:

Rolled Strip Zinc Alloy 710.

(Firewall alloy 1/8" and 16 gage only)



Approvals:

Comments:

TEST DATA	TENSION	COMPRESSION		SHEAR
		1" CAVITY (25.4mm)	4" CAVITY (101.6mm)	
R.E.E.L. Loads deflection	2,697 lbs .031 in. (.787mm)	9,863 lbs .061 in. (1.549mm)	6,373 lbs .086 in. (2.184mm)	1,030 lbs .046 in. (1.168mm)
R.E.M. Loads deflection	3,242 lbs .095 in. (2.413mm)	9,863 lbs .061 in. (1.549mm)	6,373 lbs .086 in. (2.184mm)	1,584 lbs .081 in. (2.057mm)
Peak Loads deflection	3,242 lbs .095 in. (2.413mm)	9,863 lbs .061 in. (1.549mm)	6,373 lbs .086 in. (2.184mm)	1,584 lbs .081 in. (2.057mm)