



Heckmann Building Products Inc.

1501 N. 31st Avenue

Melrose Park, IL 60160-2911

800-621-4140 or 708-865-2403 Fax: 708-865-2640

www.heckmannbuildingprods.com

SUBMITTAL SHEET:

#153 FLANGE HOOK STONE PIN ANCHOR

Made to order:

Thickness of strap: 1/4", 3/16", 1/8", 11 gage, 12 gage, 14 gage, & 16 gage.

Diameter of Pin: 1/4", 3/8", 1/2", & 5/8".

Width: minimum width recommended is 1-1/4". (You should allow at least 1/4" of steel on each side of a pin).

Length: Specify overall length of strap and overall length of pin. (Pin is usually a minimum of 3" long)

Available in Stainless Steel, Hotdip Galvanized After Fabrication, Electro Galvanized After Fabrication, Mill Galvanized, or Plain Steel.

Specify Location of Pin from center of pin to end. 1/2" minimum of steel between end of anchor and start of hole is recommended.

Pins are available loose or welded in place.

J-Hook is usually a 3/4" opening and a 1-1/4" return.

Stainless Steel:

Sheet metal anchors and ties: ASTM A 167 AISI Type 304.

Plate and bent bar anchors: ASTM A 666 AISI Type 304.

Wire ties and anchors: ASTM A 580 AISI Type 304.

Hotdip Galvanized:

ASTM A 153 Class B-2: (1.50 oz/ ft²).(0.46kg/m²)

Mill Galvanized:

Sheet metal anchors and ties: ASTM A 653 G60

Wire: ASTM A 641 (0.1 oz/ ft².)

Plain Steel:

Sheet Metal anchors and ties: ASTM A 569, ASTM A 366.

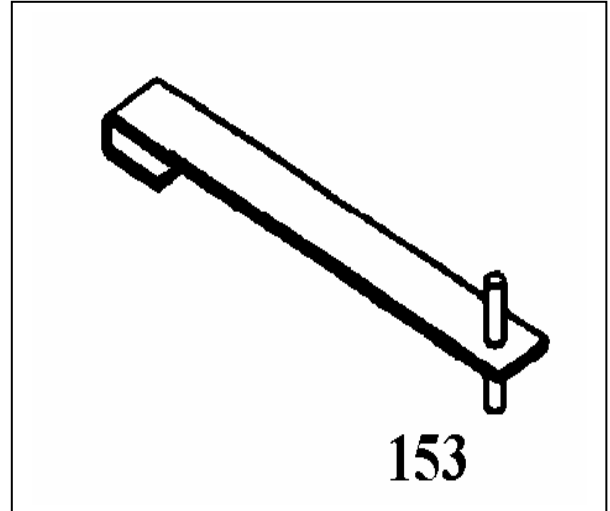
Plates, bars, and shapes: ASTM A 123, ASTM A 36.

Wire: ASTM A 82, ASTM A 82-95a.

Firewall Anchors:

Rolled Strip Zinc Alloy 710.

(Firewall alloy 1/8" and 16 gage only)



Approvals:

Comments: