



Heckmann Building Products Inc.

1501 N. 31st Avenue
Melrose Park, IL 60160-2911
800-621-4140 or 708-865-2403 Fax: 708-865-2640
www.heckmannbuildingprods.com

SUBMITTAL SHEET: #138 CHANNEL SLOT FLAT ANCHOR

Used for anchoring Stone to backup wall with Heckmann Channel Slot Systems #130, #131, or #133. Flat part is usually field bent or drilled for placement of #155 Dowel Pins.

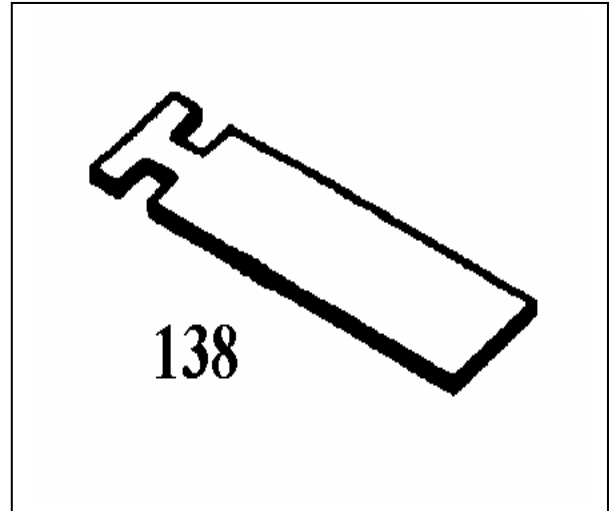
Also used as a masonry wall stabilizing anchor for resisting lateral loads at the top of masonry walls with steel beams overhead. Use with #130 channel slot and #422 Plastic Rectangle Tube.

Made To Order: Available in 1-1/4" minimum width. Order Length from Face of Channel Slot (Channel Slots stick out 1/2" from the backup walls).

Minimum thickness 16 gage - Maximum thickness 3/16".

Minimum length 1-1/2" - maximum length 24".

Available in Plain Steel, Mill Galvanized, Electro Galvanized after Fabrication, Hotdip Galvanized After Fabrication, or Stainless Steel.



Stainless Steel:

Sheet metal anchors and ties: ASTM A 167 AISI Type 304.

Plate and bent bar anchors: ASTM A 666 AISI Type 304.

Wire ties and anchors: ASTM A 580 AISI Type 304.

Hotdip Galvanized:

ASTM A 153 Class B-2: (1.50 oz/ ft²)(0.46kg/m²)

Mill Galvanized:

Sheet metal anchors and ties: ASTM A 653 G60

Wire: ASTM A 641 (0.1 oz/ ft².)

Plain Steel:

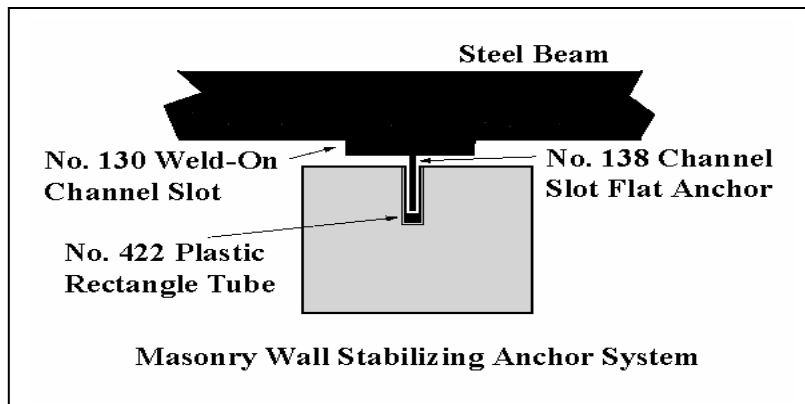
Sheet Metal anchors and ties: ASTM A 569, ASTM A 366.

Plates, bars, and shapes: ASTM A 123, ASTM A 36.

Wire: ASTM A 82, ASTM A 82-95a.

Firewall Anchors:

Rolled Strip Zinc Alloy 710.



Approvals:

Comments: