



Heckmann Building Products Inc.

1501 N. 31st Avenue

Melrose Park, IL 60160-2911

800-621-4140 or 708-865-2403 Fax: 708-865-2640

www.heckmannbuildingprods.com

SUBMITTAL SHEET: #134 CHANNEL SLOT CORRUGATED ANCHORS

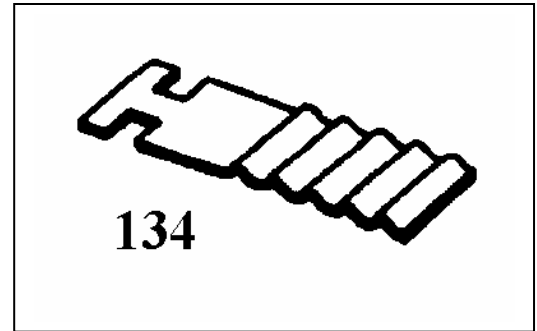
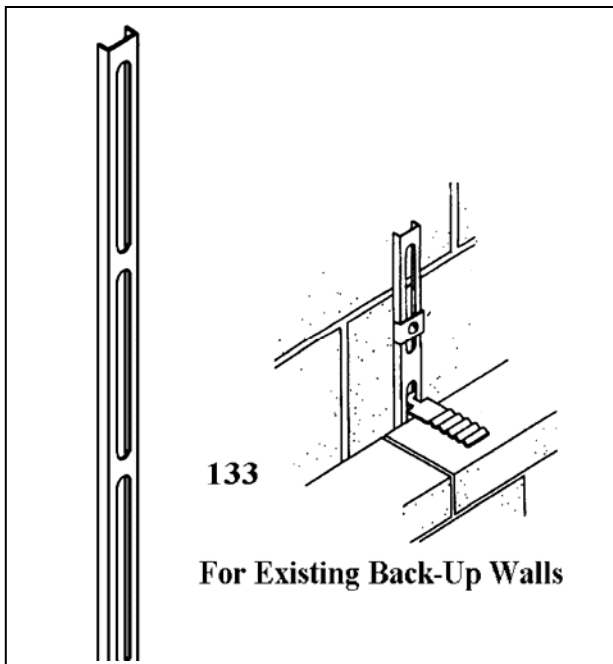
Used to attach brick veneer to backup that has Channel Slots. (See #130, #131, #132, or #133 Channel Slots)

Standards: 16 gage x 1-1/4" wide x 3-1/2", 5-1/2", or 7-1/2" lengths in Mill Galvanized, Hotdip Galvanized After Fabrication, or Stainless Steel.

Specials are available. Minimum width is 1-1/4". Minimum Length 1-1/2". Available thicknesses are 3/16", 1/8", 11 gage, 12 gage, 14 gage, and 16 gage.

Also Available in #710 Zinc Alloy in 1/8" thick and 16 gage for use as a firewall melt-away anchor

For areas that do not allow corrugated ties in exterior walls please see #129 Channel Slot Triangle Tie.



Stainless Steel:

Sheet metal anchors and ties: ASTM A 167 AISI Type 304.

Plate and bent bar anchors: ASTM A 666 AISI Type 304.

Wire ties and anchors: ASTM A 580 AISI Type 304.

Hotdip Galvanized:

ASTM A 153 Class B-2: (1.50 oz/ ft²)(0.46kg/m²)

Mill Galvanized:

Sheet metal anchors and ties: ASTM A 653 G60

Wire: ASTM A 641 (0.1 oz/ ft².)

Plain Steel:

Sheet Metal anchors and ties: ASTM A 569, ASTM A 366.

Plates, bars, and shapes: ASTM A 123, ASTM A 36.

Wire: ASTM A 82, ASTM A 82-95a.

Rolled Zinc Alloy 710:

For Firewall Anchors

Firewall Anchors:

Rolled Strip Zinc Alloy 710.

(Firewall alloy 1/8" and 16 gage only)

Approvals:

Comments: