



Heckmann Building Products Inc.

1501 N. 31st Avenue
Melrose Park, IL 60160-2911
800-621-4140 or 708-865-2403 Fax: 708-865-2640
www.heckmannbuildingprods.com

SUBMITTAL SHEET: #132 FACE-TYPE CHANNEL SLOTS

Used to attach brick veneer or stone to an existing backup wall (wood, concrete, brick, or block). The #132 Channel Slots are screwed or attached with expansion anchors to the backup and Channel Slot anchors are then attached to the #132.

Standard Size: 16 gage and 11 gage. Slot is 1-3/4" wide x 12" long. Channel Slot is 9/16" x 5-1/2" long. Holes are 9/32" diameter. Slot section extends out 5/8" from the backup wall. Available in Mill Galvanized, Electro Galvanized after Fabrication, Hotdip Galvanized After Fabrication, and Stainless Steel.

See #130, #131, and #133 for Additional Slot Types.
See #129, #122, #123, #124, #125, and #134 for Channel Slot Brick Veneer Anchors
See #127, #135, #136, #137, #138, and #139 for Channel Slot Stone Anchors

Stainless Steel:

Sheet metal anchors and ties: ASTM A 167 AISI Type 304.

Plate and bent bar anchors: ASTM A 666 AISI Type 304.

Wire ties and anchors: ASTM A 580 AISI Type 304.

Hotdip Galvanized:

ASTM A 153 Class B-2: (1.50 oz/ ft²)(0.46kg/m²)

Mill Galvanized:

Sheet metal anchors and ties: ASTM A 653 G60

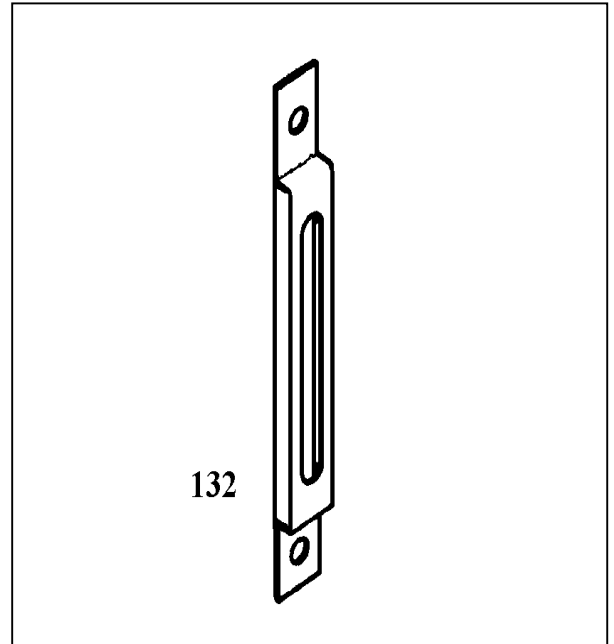
Wire: ASTM A 641 (0.1 oz/ ft².)

Plain Steel:

Sheet Metal anchors and ties: ASTM A 569, ASTM A 366.

Plates, bars, and shapes: ASTM A 123, ASTM A 36.

Wire: ASTM A 82, ASTM A 82-95a.



Approvals:

Comments: