



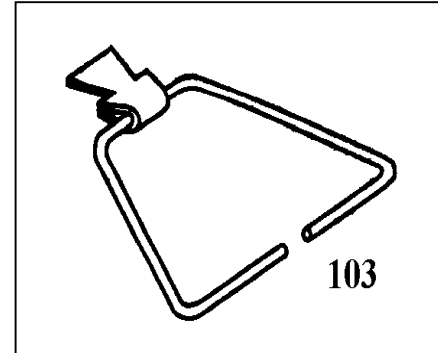
Heckmann Building Products Inc.

1501 N. 31st Avenue
 Melrose Park, IL 60160-2911
 800-621-4140 or 708-865-2403 Fax: 708-865-2640
www.heckmannbuildingprods.com

SUBMITTAL SHEET: #103 DOVETAIL TRIANGULAR ANCHOR

Used for attaching brick veneer to an existing concrete wall that contains standard 1" deep x 1" wide dovetail slot with a 5/8" throat at the face of concrete. (See Heckmann #100 Dovetail Slot sheet for Anchor Slot Specifications).

Standard Sizes: 12 gage dovetail clip attached to a 3/16" diameter wire triangle tie in the following lengths: 3", 4", 5", 7", 9", and 11". Available in Mill Galvanized, Hotdip Galvanized After Fabrication, and Stainless Steel.



Approvals:

Comments:

Stainless Steel:

Sheet metal anchors and ties: ASTM A 167 AISI Type 304.

Plate and bent bar anchors: ASTM A 666 AISI Type 304.

Wire ties and anchors: ASTM A 580 AISI Type 304.

Hotdip Galvanized:

ASTM A 153 Class B-2: (1.50 oz/ ft²)(0.46kg/m²)

Mill Galvanized:

Sheet metal anchors and ties: ASTM A 653 G60

Wire: ASTM A 641 (0.1 oz/ ft²)

Plain Steel:

Sheet Metal anchors and ties: ASTM A 569, ASTM A 366.

Plates, bars, and shapes: ASTM A 123, ASTM A 36.

Test Data

TEST RESULTS	TENSION	COMPRESSION		SHEAR
		1" Cavity (25.4mm)	3" Cavity (76.2mm)	
R.E.E.L. Loads deflection	327 lbs .039 in. (.9906mm)	509 lbs .072 in. (1.828mm)	282 lbs .044 in. (1.117mm)	138 lbs .039 in. (.9906mm)
R.E.M. Loads deflection	713 lbs .179 in. (4.546mm)	560 lbs .090 in. (2.286mm)	386 lbs .140 in. (3.556mm)	347 lbs .361 in. (9.169mm)
Peak Loads deflection	751 lbs .286 in. (7.264mm)	616 lbs .140 in. (3.556mm)	701 lbs .272 in. (6.908mm)	371 lbs .452 in. (11.48mm)