



Heckmann Building Products Inc.

1501 N. 31st Avenue
Melrose Park, IL 60160-2911
800-621-4140 or 708-865-2403 Fax: 708-865-2640
www.heckmannbuildingprods.com

SUBMITTAL SHEET:

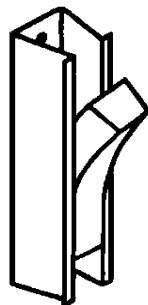
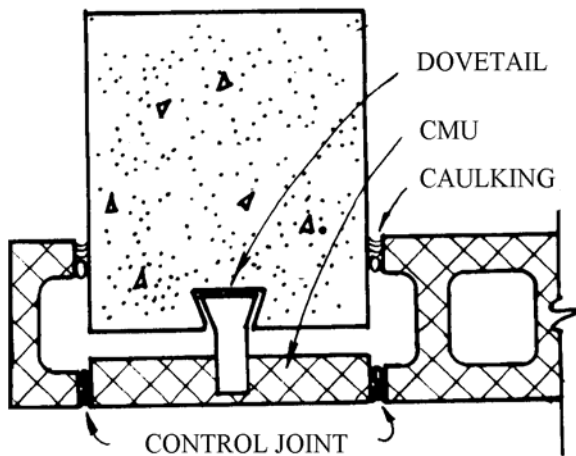
#100 DOVETAIL ANCHOR SLOT

Description: Used for attaching brick veneer or stone to a concrete backup wall. The dovetail slot is nailed to the inside of the form. When the concrete is poured and the form is removed, the slot allows anchors to be installed and adjusted vertically.

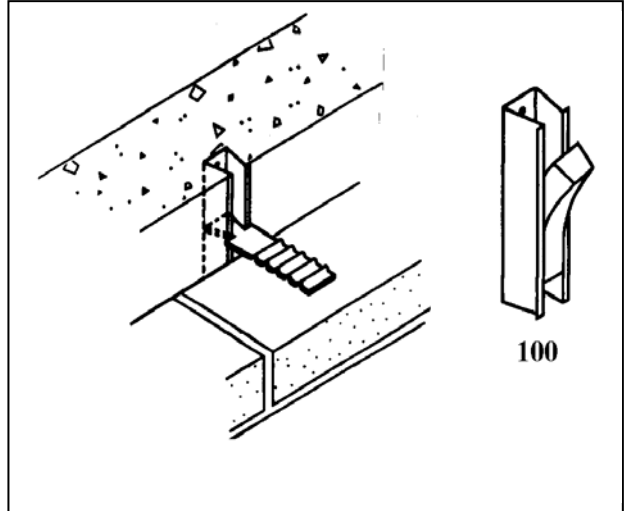
Standard Size: 1" x 1" narrowing down to a 5/8" throat in 10 foot lengths. Slot is filled with flexible foam filler to prevent concrete from entering the slot during the pour.

Available gage steel: 20, 22, 24, and 26.
(18 gage available in Mill Galv or Hotdip only)

Steel Types: Mill Galvanized, Hotdip Galvanized After Fabrication, and Stainless Steel.



100



100

Heckmann Steel Specifications

Stainless Steel:

Sheet metal anchors and ties: ASTM A 167 AISI Type 304.

Plate and bent bar anchors: ASTM A 666 AISI Type 304.

Wire ties and anchors: ASTM A 580 AISI Type 304.

Hotdip Galvanized:

ASTM A 153 Class B-2: (1.50 oz/ ft²)(0.46kg/m²)

Mill Galvanized:

Sheet metal anchors and ties: ASTM A 653 G60

Wire: ASTM A 641 (0.1 oz/ ft²)

Plain Steel:

Sheet Metal anchors and ties: ASTM A 569, ASTM A 366.

Plates, bars, and shapes: ASTM A 123, ASTM A 36.

Wire: Δ ASTM Δ 82 Δ ASTM Δ 82-Q5a

Approvals:

Comments: