



# Heckmann Building Products Inc.

1501 N. 31<sup>st</sup> Avenue

Melrose Park, IL 60160-2911

800-621-4140 or 708-865-2403 Fax: 708-865-2640

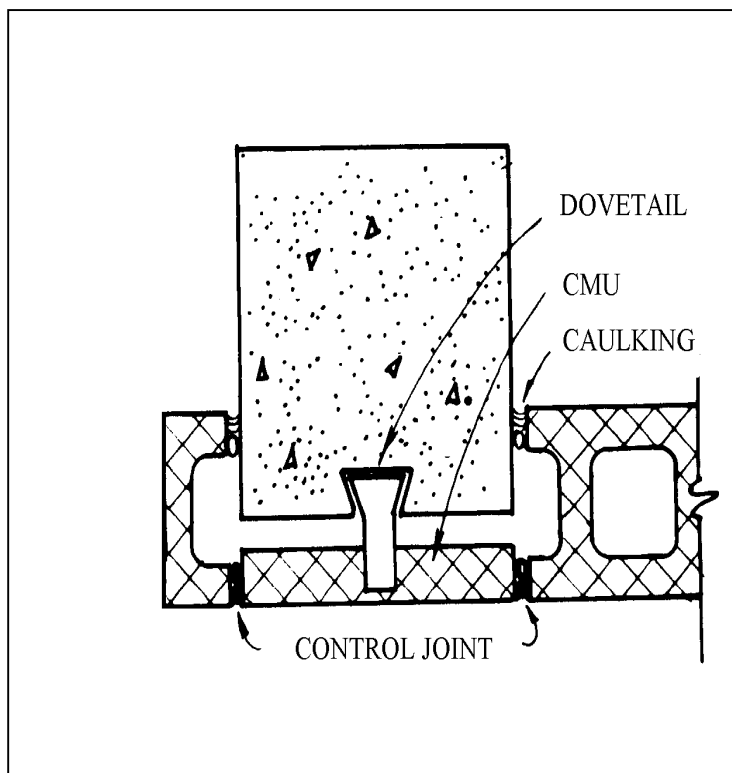
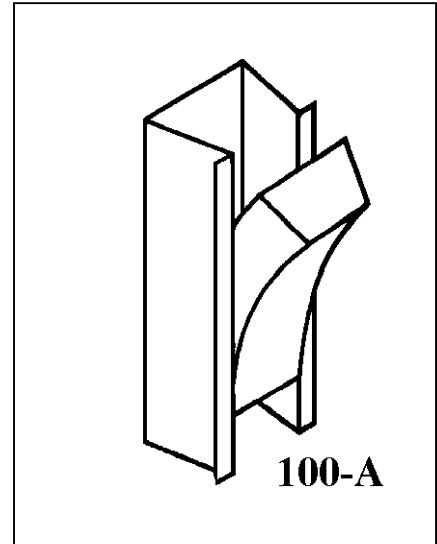
[www.heckmannbuildingprods.com](http://www.heckmannbuildingprods.com)

## SUBMITTAL SHEET: #100-A LARGE DOVETAIL ANCHOR SLOT

Cast into concrete columns. Used for heavy-duty conditions where the Standard #100 Dovetail Slot does not meet design requirements.

Standard Size: 2" wide x 1-1/2" deep x 1-3/8" throat with nail holes 12" o.c. in 10 foot lengths. Foam Filled. Stocked in 16 gage Mill Galvanized. Available in 18 gage or 20 gage. Stainless Steel is also an option.

(Note: Anchors for this slot must be a minimum width of 2". Add the suffix "A" to the Heckmann Anchor Catalog Number i.e. 106-A to designate the larger Dovetail Size. Maximum anchor thickness for A series is 1/8")



### **Stainless Steel:**

Sheet metal anchors and ties: ASTM A 167 AISI Type 304.

Plate and bent bar anchors: ASTM A 666 AISI Type 304.

Wire ties and anchors: ASTM A 580 AISI Type 304.

### **Hotdip Galvanized:**

ASTM A 153 Class B-2: (1.50 oz/ ft<sup>2</sup>)(0.46kg/m<sup>2</sup>)

### **Mill Galvanized:**

Sheet metal anchors and ties: ASTM A 653 G60

Wire: ASTM A 641 (0.1 oz/ ft<sup>2</sup>.)

### **Plain Steel:**

Sheet Metal anchors and ties: ASTM A 569, ASTM A 366.

Plates, bars, and shapes: ASTM A 123, ASTM A 36.

Wire: ASTM A 82, ASTM A 82-95a.

Approvals:

Comments: