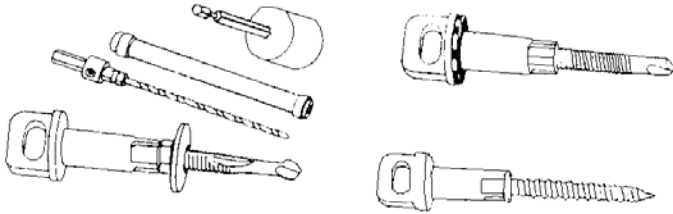




**INSTRUCTION SHEET
READ INSTRUCTIONS
BEFORE PROCEEDING!**



Heckmann Building Products Inc.

1501 N. 31st Avenue

Melrose Park, IL 60160-2911

800-621-4140

E-Mail: Heckmann@worldnet.att.net

www.heckmannbuildingprods.com

WIRE TIES:

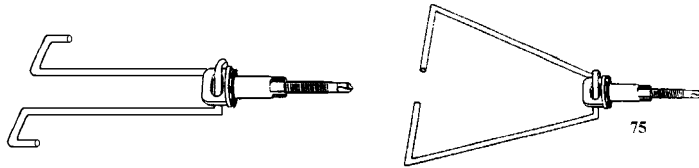
Available as Single Wire Type, Triangular Type, or Double J. Standard Lengths are 3", 3 1/2", 4", and 5". Special lengths are available in 1/2" increments. All wire ties are 3/16" diameter. Mill Galvanized manufactured to ASTM A-82 specifications, Hotdip to ASTM A153 Class B-2, and Type 304 Stainless Steel ASTM 240.



U.S. Patent # 4473984

4764069

Canada Patent # 1224344

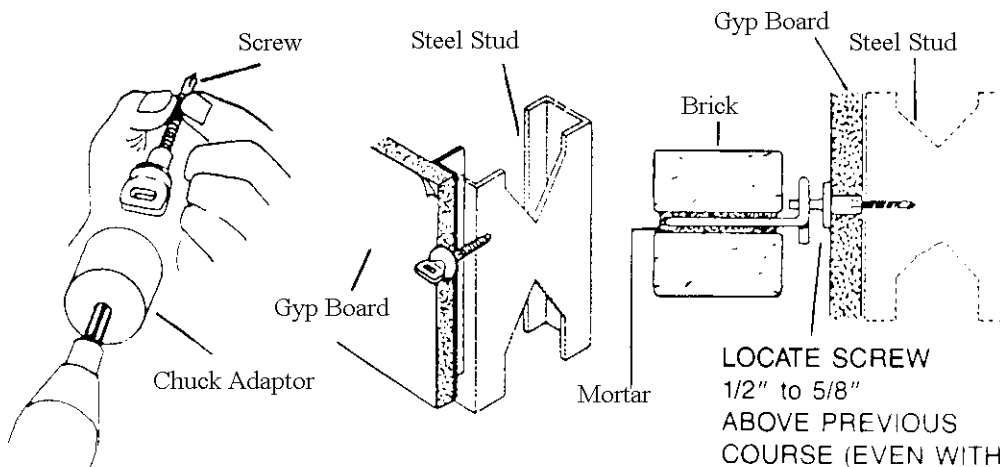


CAUTION

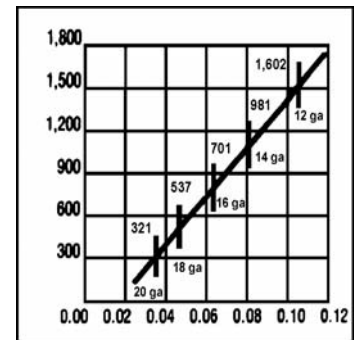
CUTTING TOOLS MAY BREAK OR SHATTER IF NOT PROPERLY USED. THE WEARING OF SAFETY GLASSES BY USERS AND PERSONS IN THE VICINITY IS REQUIRED BY FEDERAL LAW.

1. POS-I-TIE SD - Self Drilling Stud Screw (For Steel Studs)

Use drill with depth sensitive nose-piece or variable clutch adjustment.



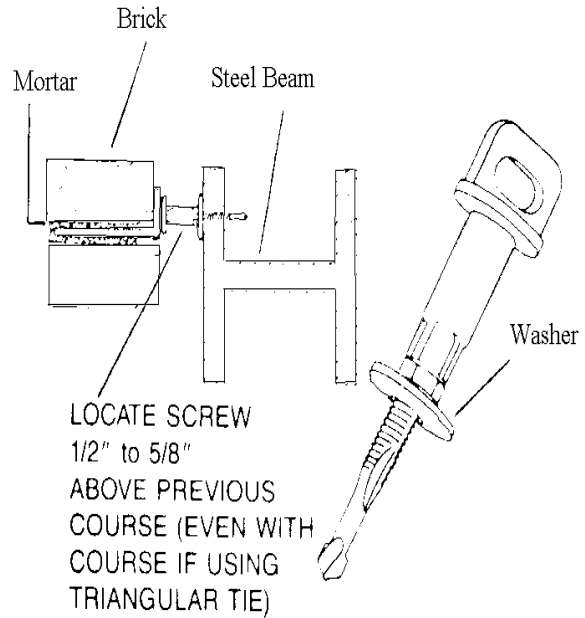
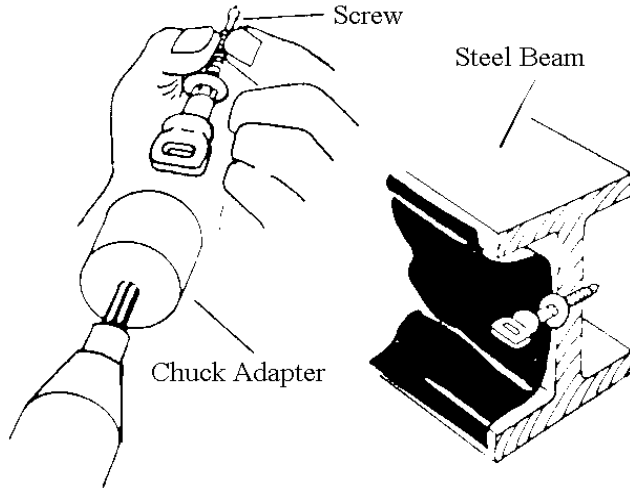
LOCATE SCREW 1/2" to 5/8" ABOVE PREVIOUS COURSE (EVEN WITH COURSE IF USING TRIANGULAR TIE)



- 1. Insert Screw into POS-I-TIE chuck adapter.**
- 2. Drill Screw through Gypsum board and into metal stud.**

CAUTION: DO NOT OVER TORQUE SCREW. TOO MUCH ROTATION AND THRUST MAY STRIP THE STUD.

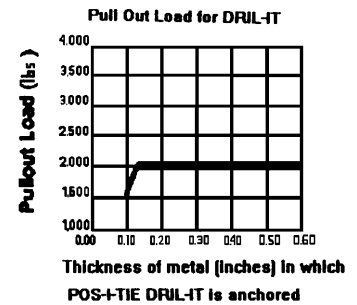
**2. POS-I-TIE DI - Dril-It Screw
(For Structural Steel)**



1. Insert screw into POS-I-TIE chuck adapter.

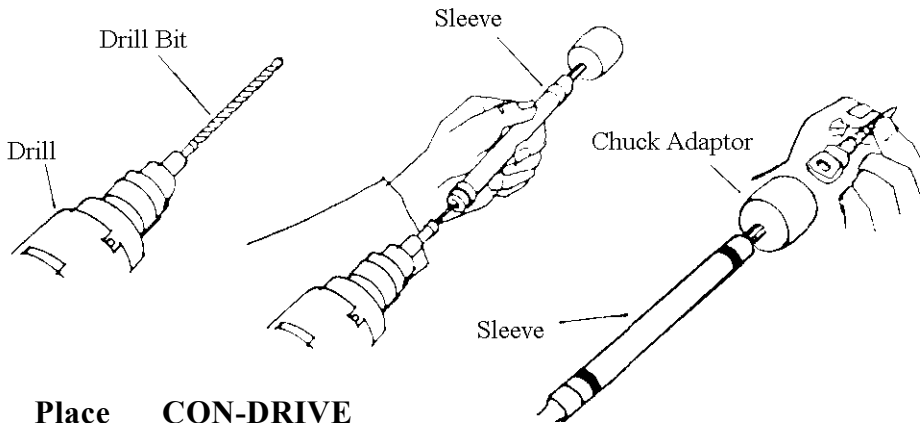
2. Center punch prior to drilling. Drill screw through STEEL BEAM. High tensile steel or very thick steel may require pre-drilling a 3/16" pilot hole.

3. The Dril-It can be ordered with or without a neoprene washer for protection against water penetration and corrosion.



CAUTION: DO NOT OVER TORQUE SCREW. TOO MUCH ROTATION AND THRUST MAY STRIP THE SCREW OR BEAM.

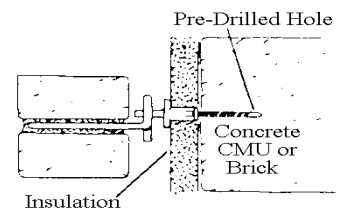
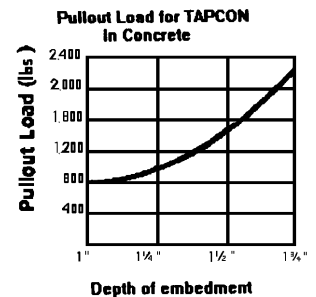
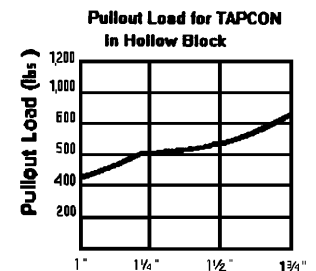
**3. POS-I-TIE Tapcon Screw
(For Concrete, CMU, Wood, or Brick)**



1. Place CON-DRIVE adapter with drill bit into hammer drill. Pre-drill a 3/16" hole to a depth of 2" located 1/2" to 5/8" above previous course. Drill should be in Hammer Mode.

2. Slide end of CON-DRIVE sleeve over drill bit, with snap on POS-I-TIE chuck adapter. Take drill out of Hammer mode.

3. Insert TAPCON screw into POS-I-TIE chuck adapter. Torque POS-I-TIE TAPCON into predrilled hole.



Extremely Hard Aggregate Is Used In Concrete In Some Area Of The U.S. Test Before Using With Concrete Over 5000 PSI.

Dril-It is a registered trademark of Elco Industries Inc. Tapcon and Con-Drive are registered trademarks of Illinois Tool Works Inc. Pos-I-Tie is a registered trademark of DL Enterprises.